



SP202

Heavy duty bidirectional sound projector

Highlights:

- IP56 Ingress protection
- Multi-tapping 100V line transformer

The SP series are high efficiency sound projectors designed to provide good speech intelligibility and background music in a wide variation of applications. They are all weather-proof treated to be used indoor as well as outdoor and are perfect suited to be used in large 100V broadcast systems such as train stations or airports. They all meet the IP56 Ingress Protection standard. The SP202 is a professional humidity and weatherproof bidirectional sound projector with a high efficiency level. It features 2 x 5" full range drivers and a built-in 100V line transformer with power taps for 2 x 10 Watt, 2 x 5 Watt or 2 x 2.5 Watt which can be selected by connecting the corresponding pair of the 4 core connection cable. The enclosure, grill and bracket are made of weatherproof coated aluminum.



Applications:

- Retail
- Public facilities
- Corporate spaces

Certification:



Voltage:



System specifications:

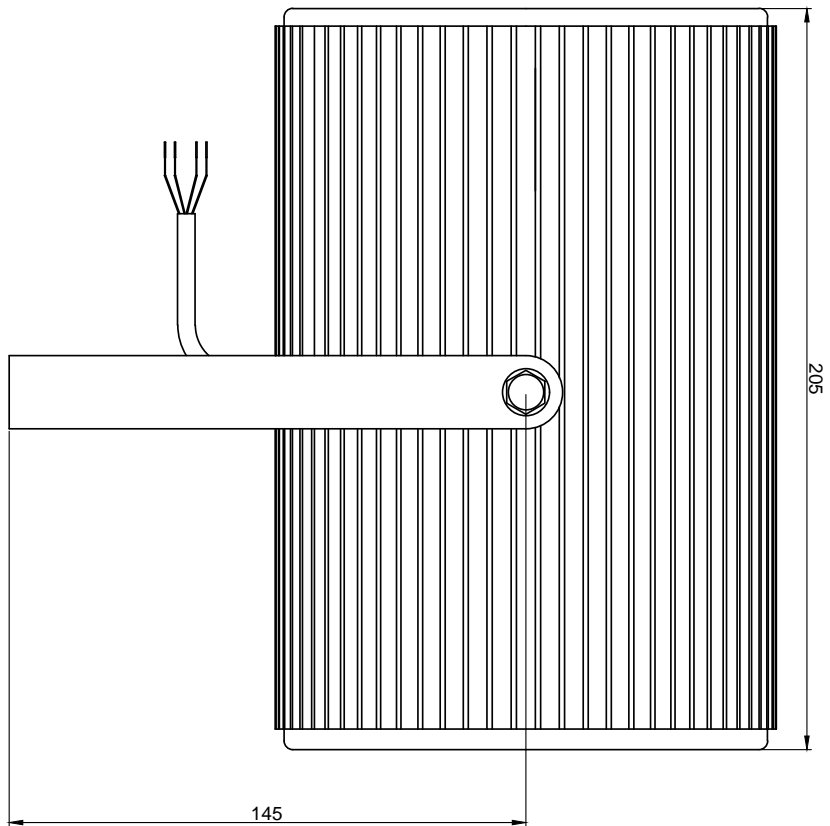
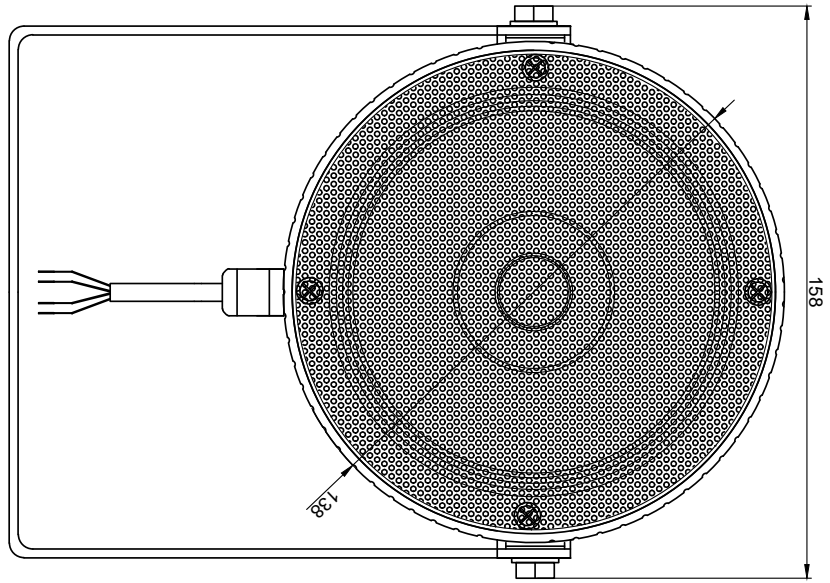
Rated Power		2 x 10 W
Frequency	Response (± 3 dB)	150 Hz - 14 kHz
Sensitivity (1W/1m)		91 dB
Line Transformer Tappings	1	2 x 10 W / 1000 Ω
	2	2 x 5 W / 2000 Ω
	3	2 x 2.5 W / 4000 Ω
Drivers		2 x 5 1/4"
Ingress Protection rating		IP56

Product Features:

Dimensions	138 x 190 mm (Ø x D)
Weight	2.400 kg
Operating temperature	-20 °C ~ 60 °C
Construction	Aluminum
Front finish	Aluminium grill
Colours	White
Projector way	2

Shipping & Ordering:

Packaging	Cardboard box
Shipping weight & volume	3.000 kg - 0.0094 Cbm



<p>SP202</p>	<p>Product description: BIDIRECTIONAL BROADBAND SOUND PROJECTOR - 2 x 10W - 100V - ALUMINIUM</p>	<p>Unit height: N/A</p>
<p>Weight: 2,4 kg</p>	<p>Outer dimensions: (w x h x d) 158 x 214 x 205</p>	