



# CLIMATE GARDEN SYSTEM



[monitoraudio.com](https://www.monitoraudio.com)





## Blend Big Sound with the Great Outdoors

### Discreet all-weather sat/sub design brings natural full-range audio to gardens of any size

Designed for excellent concealment in any garden landscape, the new Climate Garden system will transfer our award-winning hi-fi audio quality from home to garden, providing music lovers with the lifestyle experience of big, wide, detailed sound in the great outdoors. Its super-discreet all-weather satellite / subwoofer design has been beautifully and expertly engineered by Monitor Audio for ground level installation amongst shrubs and trees to deliver a luxury blend of unobtrusive aesthetics and natural full-range audio in gardens of any size. The system comprises the Climate CLG140 and CLG160 satellite speakers and the CLG-W12 subwoofer. With up to twelve satellites in each line arrays per subwoofer, the system is expandable with additional satellite and subwoofer sets according to garden area.

### High quality from the ground up

The satellite speakers are a robust high sensitivity design built to deliver richly detailed hi-fi quality mid/high frequencies. Engineered to withstand the most extreme temperatures and weather conditions, their rigid conical cast-polymer enclosure houses the company's signature 1" (25mm) C-CAM gold-dome tweeter co-axially aligned with a 4" MMP (CLG140) or 6" MMP (CLG160) bass-mid driver. The horn-shaped housing provides excellent audio directivity in free air conditions when positioned close to the garden surface on a bracket/spike assembly, which neatly encapsulates and channels the connecting cable into the ground for a discreetly installed result. Alternatively it's possible to mount the satellite speakers on a tree, pole, wall or fence. Supplied in a durable dark brown finish for excellent coordination with garden colours, the satellite speakers casing can be painted to blend with any environment.

### Subterranean Bass

Completing the full-range frequency response of the Climate Garden system is the CLG-W12 passive subwoofer. Optimised for discreet sub-surface installation, its proprietary Monitor Audio bandpass design incorporates an internally loaded 12" C-CAM driver which sits in a waterproof rotationally-moulded polymer enclosure buried below the garden surface - only the CLG-W12's domed output port is visible. From this domed port powerfully taut bass frequencies will join the clean mids and highs of the surrounding satellite speakers for punchy and articulate full-range garden sound.

### Easy daisy-chain installation

The CLG-W12 can be powered from a single amplifier channel at 4 ohms, with its 70/100V line option recommended for cable runs over 10m (30ft) and for adding subwoofers to the system. In this line configuration, the satellites speakers are daisy-chained to the CLG-W12, one after the other, up to a recommended maximum of twelve per subwoofer. System expansion to larger garden spaces simply involves the addition of amplifier channels, subwoofers and satellites.

In the simplest designs, satellite speakers are connected in a mono configuration to one amplifier channel, the other channel powering the subwoofer. The use of a stereo power amplifier with 70/100 volt line capability and crossover features will allow the adjustment of levels between bass and mid-high range. Alternatively, the system can be designed to provide stereo operation by adding elements to create left/right zones.

When installed the Climate Garden system delivers a smooth, wide-open and controlled frequency response from 30Hz to 30kHz in the targeted environment: better than many home audio systems! For patio or deck applications, the CLG-W12 will install within a planter box to enhance Monitor Audio's CLG Series all-weather cabinet speakers with deep bass frequencies, giving custom installers additional design options.



### The luxury of discreet sound with flexible design

The new Climate Garden system extends the reach of our innovative award-winning hi-fi sound and technology from the home to every part of the garden. Its luxury, high performance satellite/subwoofer design delivers a scalable, flexible and super-stealthy way to enhance garden spaces of any size with naturally pulsating audio.

### Choosing Monitor Audio

When you decide on Monitor Audio for discreet custom applications, you're getting so much more than a great design solution. The installation of our specialised architectural designs blends over forty years of award-winning audio technology with the familiar fabric of your home. You'll know that the engineers who perfected that beautifully discreet flush-with-the-surface design also created the life-like audio accuracy of our hi-fi speakers, acclaimed by the world's most critical audiophile listeners. So by choosing Monitor Audio for ultra-discreet sound around your home, you're securing the utterly desirable combination of seamless room integration and superior sound quality, backed by over four decades of design innovation and award success. What's more no other hi-fi brand offers a range of architectural speakers as developed and diverse. Excellence is in our DNA; the experience is yours to enjoy for years to come.



### CLG140/CLG160 key features:

- CLG140 - 4" MMP II bass-mid range driver
- CLG160 - Purposely designed 6" MMP II bass-mid range driver
- Coaxially aligned 25mm C-CAM gold dome tweeter
- Optimised for high sensitivity and wide dispersion
- Internal matching transformer for 70/100V line level operation
- Designed to operate under extreme climatic conditions from -20 to 70 C
- Rigid, high impact cast polymer cabinet for long life and durability
- Bracket mounting made from die-cast aluminium alloy
- Garden spike provided although tree or pole mounting is possible with additional fixings
- Certified to IP55 rating
- Encapsulated cable runs inside bracket and spike for discreet appearance
- Dark Brown finish blends with garden colours, but enclosure is paintable to blend with alternative settings.
- Applications include garden and deck areas: system expands with garden size
- PTC protection against power overload.



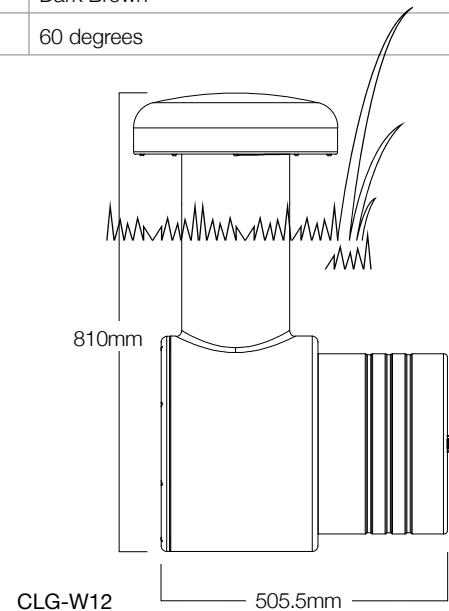
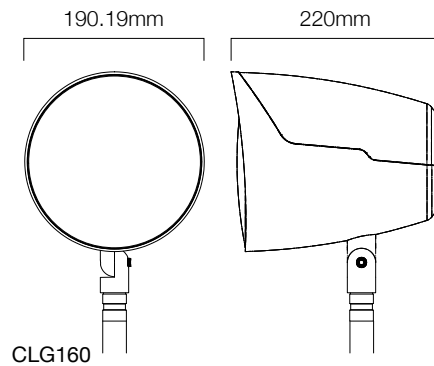
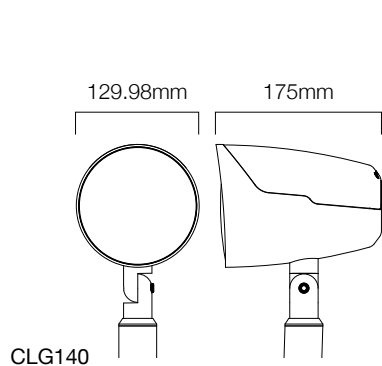
### CLG-W12 key features:

- Below ground garden installation. On patios or decks will install within a suitably sized planter
- Extended response down to 30Hz
- Long throw 12" subwoofer driver featuring C-CAM cone technology and rigid die-cast chassis
- Bandpass cabinet enclosure delivers high efficiency and punchy, extended bass
- 70/100V and 4 ohm tap for flexible system design: additional units can be added and 'daisy-chained' together
- Robust moulded cabinet: strong and waterproof with fewer joints to compromise structural integrity
- Certified to IP54 Ingress Protection rating
- Dark brown finish blends with garden colours
- Applications: garden, deck and patio, theme parks.



## Specifications

	CLG140	CLG160	CLG-W12
Frequency Response (-6dB)	100Hz – 30KHz	80Hz – 30KHz	30Hz – 100Hz
Sensitivity (1W@1m)	88dB	89dB	87dB
Impedance (nominal)	70/100 Volt line level	70/100 Volt line level	4Ω or 70/100V line level (cable select)
Maximum S.P.L. (@1m)	104 dBA	107 dBA	110dBA
Power Handling	40 Watts (crossover set to minimum 100Hz @ 12dB/Octave)	60 Watts (crossover set to minimum 80Hz@12dB/Octave)	250W
Amplifier Requirements (RMS)	10-40 watts per speaker	10-60 watts per speaker	100-250W
Driver Complement	1 x 4" MMP II cone bass - mid driver 1 x 25mm C-CAM Gold Dome tweeter – Coaxially oriented	1 x 6" MMP II cone bass-mid driver 1 x 25mm C-CAM Gold Dome tweeter – Coaxially oriented	1 x 12" C-CAM cone, long throw sub-bass driver
Crossover recommendation (high pass)	100Hz at a minimum of 12dB/Octave (24dB/Octave optimum)	80Hz at a minimum of 12dB/Octave (24dB/Octave optimum)	100Hz at a minimum of 12dB/Octave (24dB/Octave optimum)
External Dimensions: (Diameter x D)	129.98mm x 175 mm	190.19mm x 220 mm	
Bracket Pivot Angle	180 degrees	180 degrees	
Connection	Encapsulated cable connection	Encapsulated cable connection.	Encapsulated cable connection
Environmental Protection Rating	IP55	IP55	IP54
Operating Temperature Range	-20° TO 70° C / -4° TO 158° F	-20° TO 70° C / -4° TO 158° F	
Finishes Available	Dark Brown	Dark Brown	Dark Brown
Dispersion	60 degrees	60 degrees	



**Monitor Audio Ltd**  
 24 Brook Road,  
 Rayleigh, Essex,  
 SS6 7XJ England  
 T. + 44 (0)1268 740580  
 F. + 44 (0)1268 740589  
 E. info@monitoraudio.co.uk