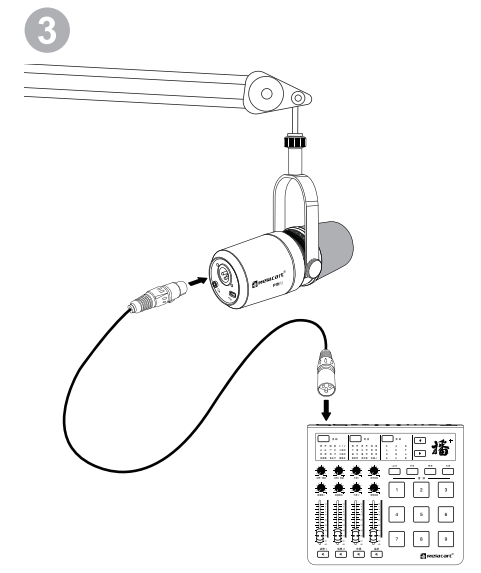
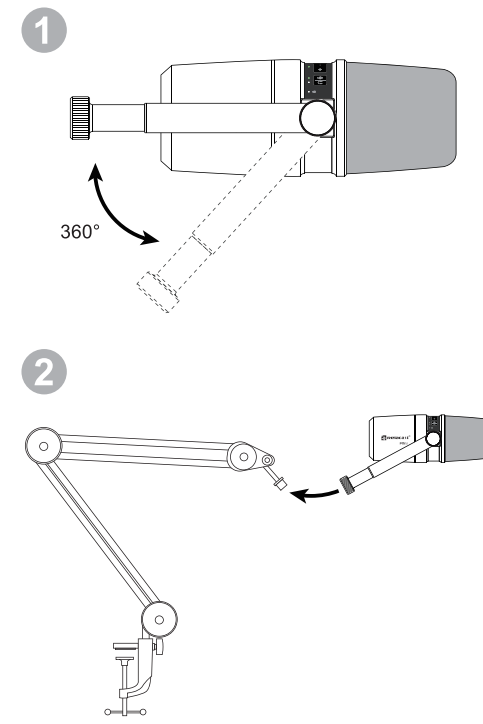
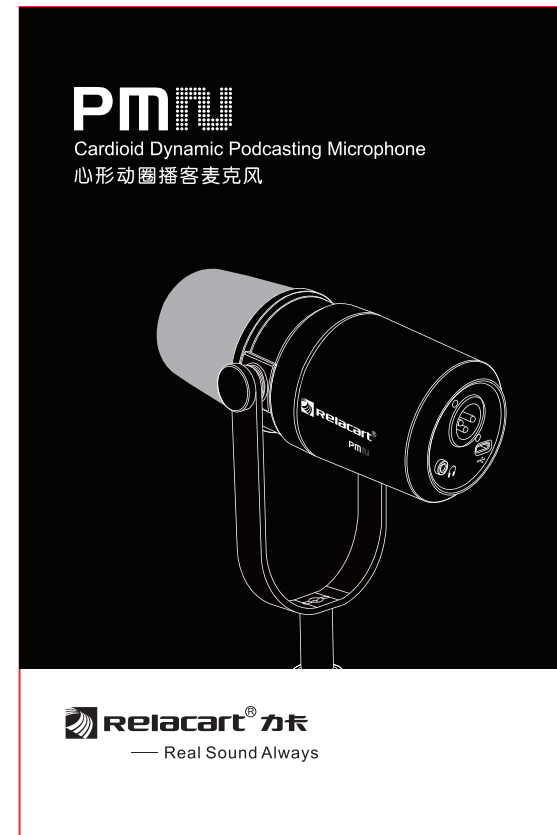
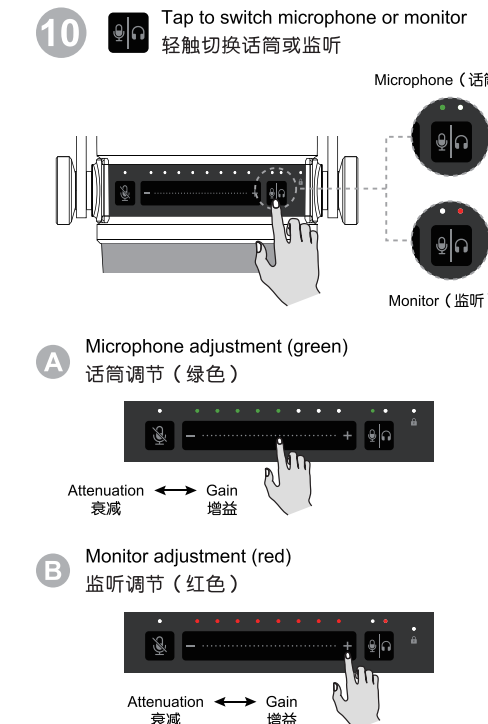
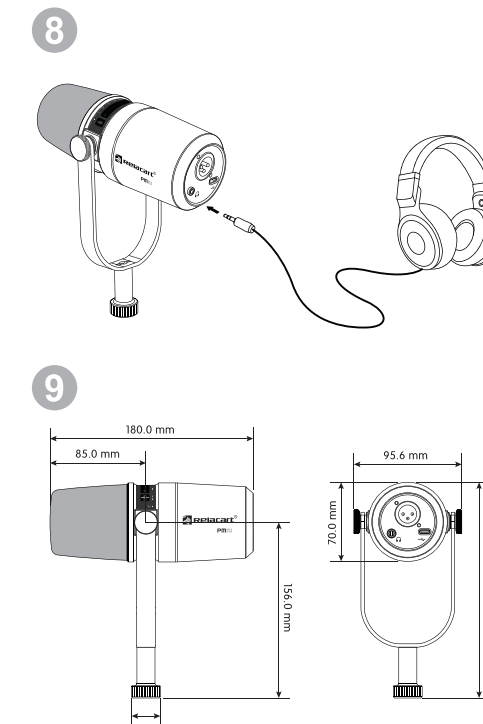
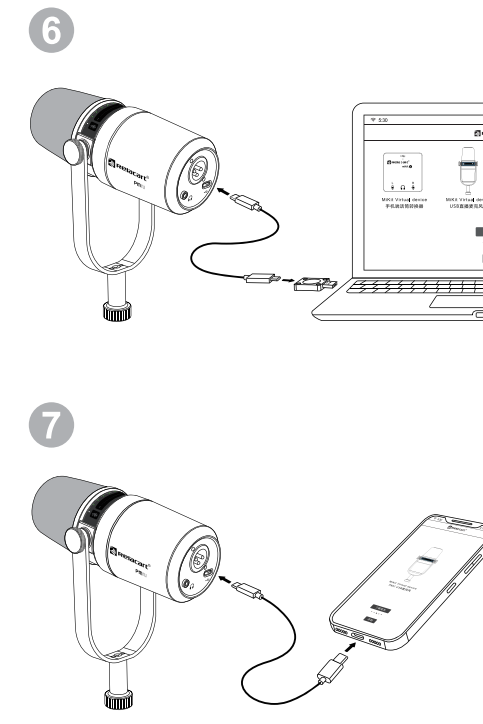
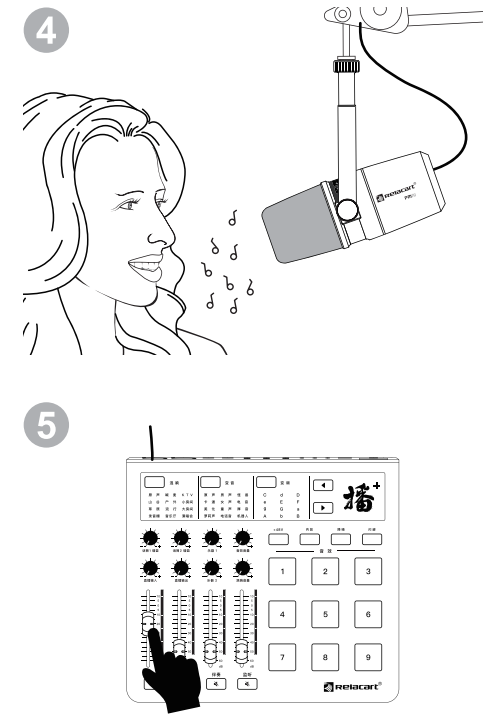


110mm

580mm

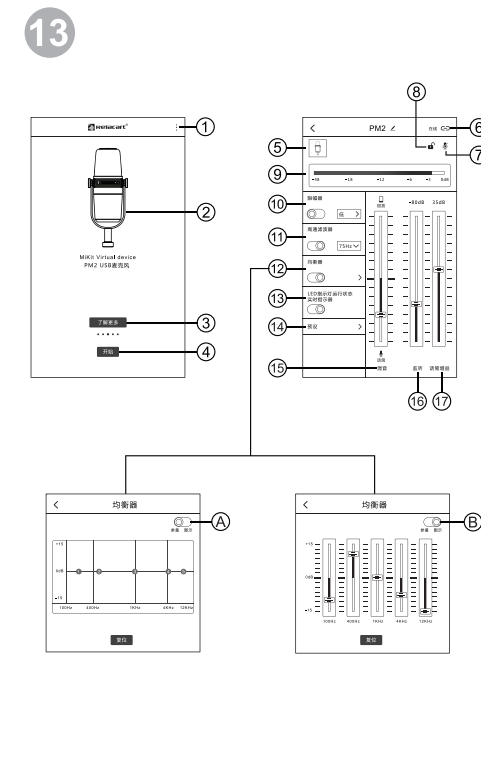
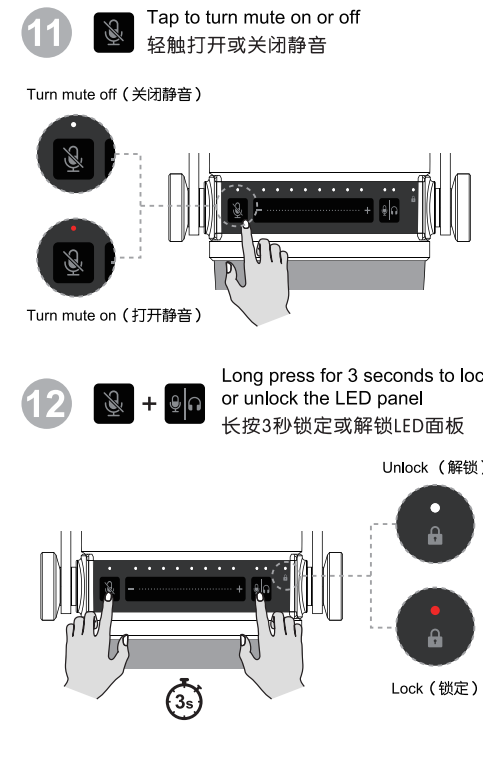
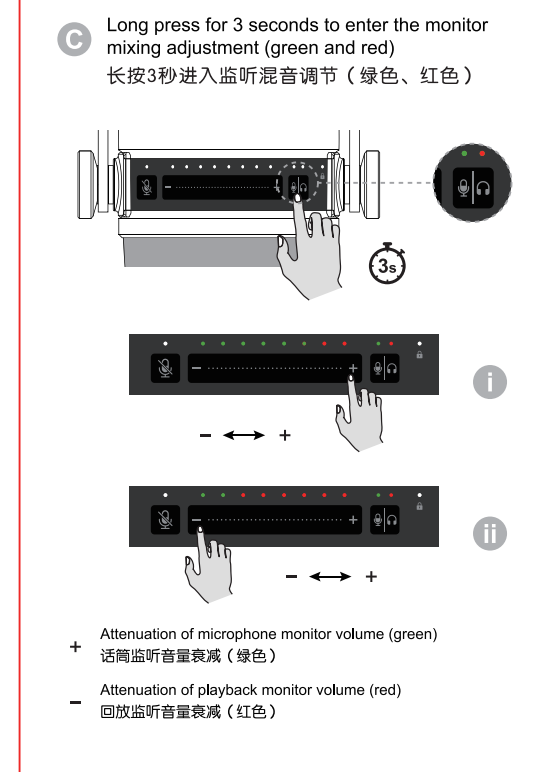


Remark: When the microphone is connected to a mixer or sound card with XLR, the touch control panel on the microphone will not be activated.
注意：当话筒用 XLR 卡连接调音台或声卡使用时，话筒上的触摸控制面板将不会被激活。



Love your PM2? share with us #relacart

@relacart
@relacart
@relacart



- | | |
|----------------------------------|--------------------|
| ① Menu | 菜单 |
| ② Device Selection | 设备选择 |
| ③ Learn more button | 了解更多按钮 |
| ④ Start button | 开始按钮 |
| ⑤ Connected device | 已连接设备 |
| ⑥ Device connection status | 设备连接状态 |
| ⑦ Microphone mute | 话筒静音 |
| ⑧ Set lock | 设置锁定 |
| ⑨ Audio input status | 音频输入状态 |
| ⑩ Limiter | 限幅器 |
| (Low, Medium, High) | (低、中、高) |
| ⑪ High pass filter (75Hz, 150Hz) | 高通滤波器 (75Hz、150Hz) |
| ⑫ Equalizer switch and settings | 均衡器开关及设置 |
| A: Parameter interface | A: 参量界面 |
| B: Graphical interface | B: 图示界面 |
| ⑬ LED indicator operating status | LED 指示灯运行状态 |
| ⑭ Preset settings | 预设设置 |
| ⑮ Monitor mix | 监听混音 |
| ⑯ Monitor volume | 监听音量 |
| ⑰ Microphone gain | 话筒增益 |

System Overview 系统概述

Relacart PM2 is an App-controlled, plug-and-play, and easy-to-use dynamic podcasting microphone. It has a USB-C interface for high-quality audio transmission and a traditional XLR analog audio output port. It is very suitable for the close-range application that require microphone to with clear and balanced sound quality.

It also adopts a sturdy and durable all-metal structure, touch mute sensor and LED volume indicator convenient design, which are favored by fans. The versatile microphone has an adjustable yoke that can be mounted on various microphone supports for flexible placement. The touch panel user interface can control microphone gain, headphone level, monitor mix synthesis, mute and lock.

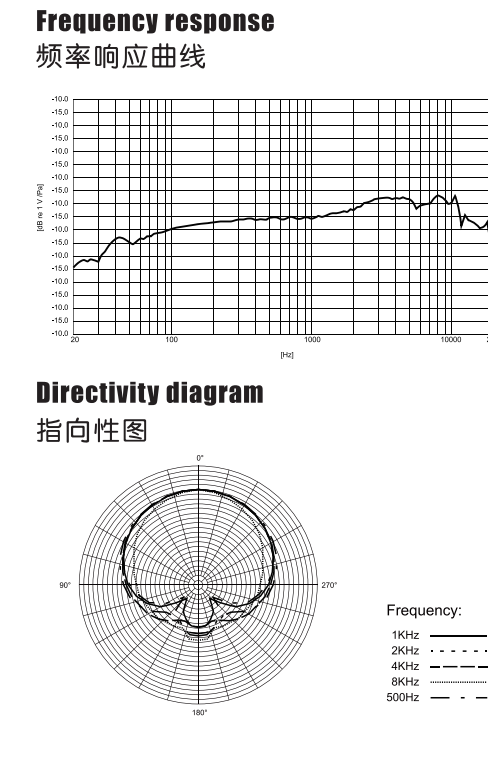
Relacart PM2 是一款 App 控制、即插即用、使用便捷的动圈式播客话筒，具有高品质音频传输的 USB-C 接口和传统的 XLR 模拟音频输出接口，非常适合要求声音清晰且音色均衡的近距离话筒应用场景。

它还采用了坚固耐用的全金属结构、触摸静音传感器和 LED 音量指示灯等备受粉丝青睐的便利设计。用途广泛的麦克风具有可调节的吊架，可安装在各种话筒支架上，从而实现灵活放置。触摸面板用户界面可控制话筒增益、耳机电平、监听混音合成、静音和锁定。

Performance features 性能特点

- All-metal structure, rugged and durable.
- Use the accustomed sensor interface to adjust settings.
- Built-in digital to analog conversion circuit, can be used for digital or analog recording.
- Support 3.5mm headphone jack to monitor microphone volume and playback in real time. Monitor volume to ensure perfect audio output.
- The integrated 360° swing stand can be quickly and easily placed on a desk, microphone stand or studio arm.
- Excellent pickup protection for excellent reliability.
- Multi-device and program compatibility.

- 金属结构，坚固耐用。
- 使用直观的触控面板界面调节设置。
- 内置数字模拟转换电路，可用于数字或模拟录音。
- 支持 3.5mm 耳机插口可以实时监听话筒音量和回放监听音量，保证音频输出完美无暇。
- 集成的 360° 摆动支架可快速轻松地放置在桌面、话筒支架或工作室臂上。
- 出色的拾音头保护，可实现卓越的可靠性。
- 多设备与程序兼容性。



Technical Specifications 技术指标

Microphone Type 麦克风类型	Dynamic 动圈式
Polar Pattern 指向性模式	Cardioid 心形指向
Frequency Response 频率响应	80 Hz — 14 KHz
Output Impedance 输出阻抗	600 Ω ± 30% (at 1 KHz)
Audio Sampling Rate 音频采样率	24 bit / 48 KHz
Adjustable Gain Range 可调增益范围	0 — +35 dB
Sensitivity 灵敏度	-58 dB ± 3dB (1V / Pa)
Max SPL Digital Output 最大数字输出	132 dB SPL
Headphone Output 耳机输出	3.5 mm
Output Connector 输出接口	Built-in XLRM-3 pin XLR male and USB output 内置 XLRM-3 针卡侖公头和 USB 输出
Mute Switch Attenuation 静音开关衰减	Yes 是
Limiter 限幅器	Yes 是
Power Requirements 电源要求	Powered through Type-C USB connector 通过 Type-C USB 接头供电
Weight 重量	695g

双面：580 x 110 mm, 100克书写纸
 红色框：说明书尺寸大小
 红色虚线：折叠位置（风琴折）