

# Modator 2U

## Quick Start Guide



### Hardware

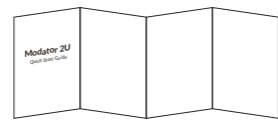
#### Packing List



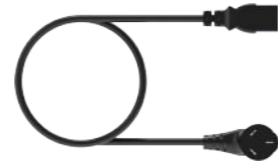
1x Modator 2U chassis



1x USB Type A to Type C cable



1x Quick Start Guide



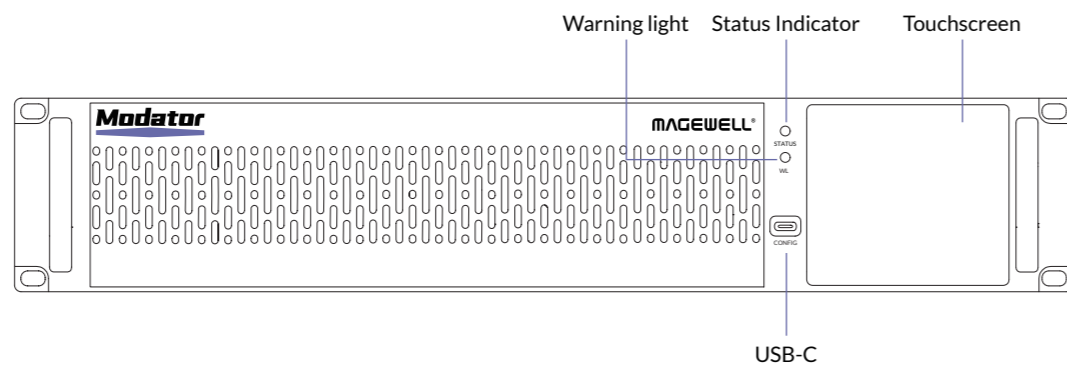
2x Power cords



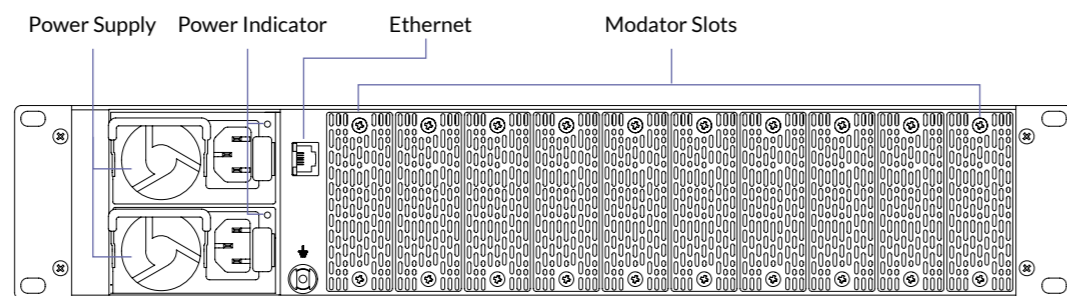
4x Installation screws

### Interfaces and Indicators

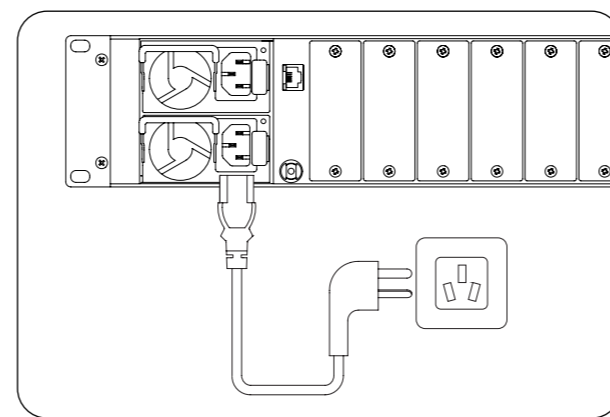
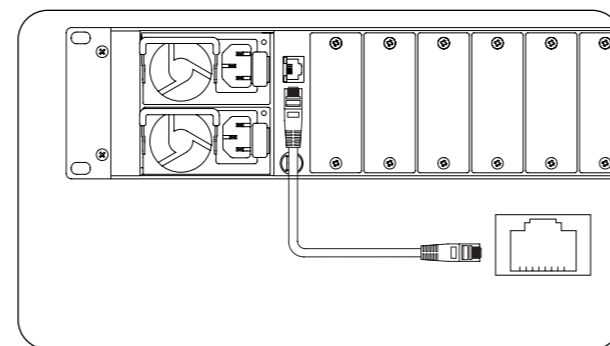
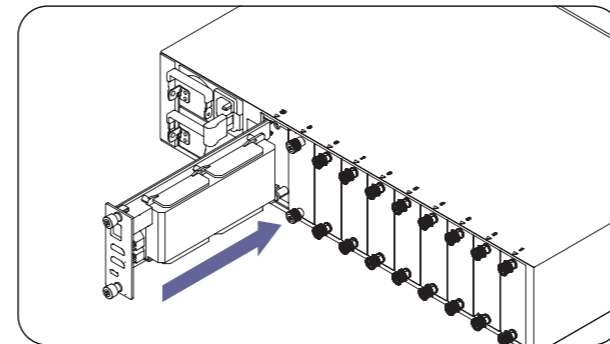
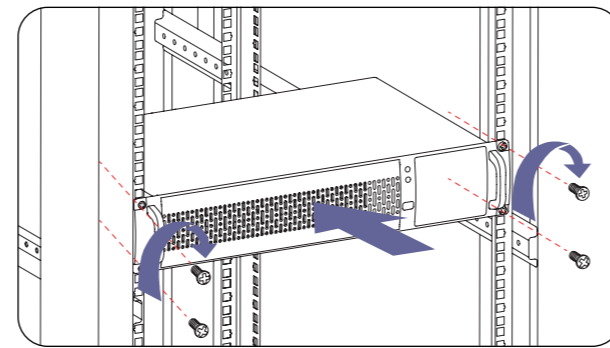
#### Front Panel



#### Rear Panel



### Install Equipment



#### Install Chassis

1. Move the chassis into the cabinet, place it on the L-shaped slide, smoothly push it into the cabinet until the mounting ears are snug against the front hole strip of the cabinet.
2. Use M6 screws to secure the mounting ears to the cabinet.
3. Properly connect the grounding cable at the back.

#### Install Modules

1. Unscrew the screws on the blank panel and remove the blank panel.
2. Horizontally push the module into the slot's guide rail until the module's panel is snug against the chassis, then tighten the screws.
3. Connect cables based on the module model.

#### Connect Ethernet Cable

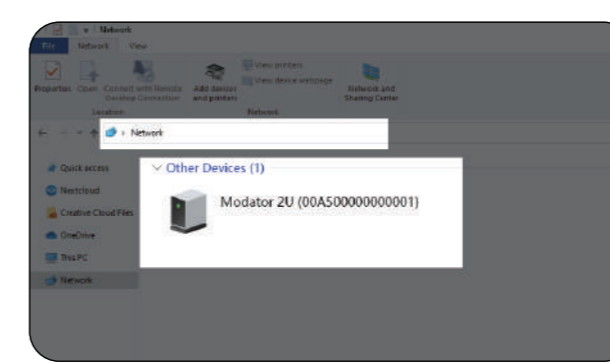
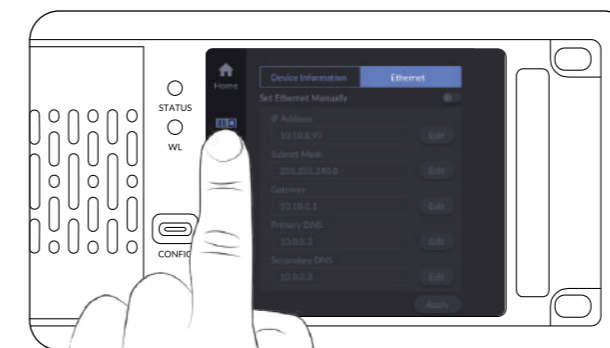
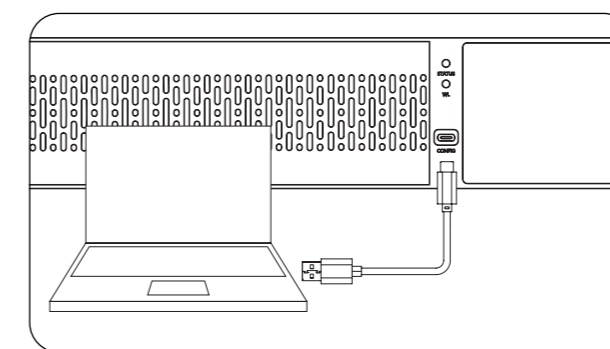
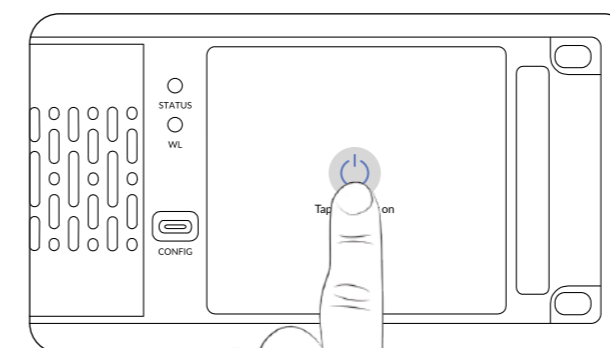
1. Connect one end of the Ethernet cable to the Ethernet port on the chassis.
2. Connect the other end to the Ethernet port on the switch.

#### Connect Power Cord

1. Connect the power cord to the power interface of the AC power module.
2. Secure the anti-loose buckle on the power cord to tighten it.

\* Note: To ensure the safe operation of the equipment, please connect both power modules to the power cords.

### Get Started



#### Use Touchscreen

1. Turn on the power switch, the touchscreen on the front panel will light up.
2. Tap on the touchscreen to start the chassis.
3. Tap the buttons on the touchscreen to view or set chassis and module-related information.

#### Use Web UI

##### Via USB NET

1. Connect the CONFIG port on your device to your computer using a USB cable.
2. Type the USB NET IP address 192.168.66.1 in your web browser.
3. Log in with the default case-sensitive username and password (both Admin).

##### Via Ethernet IP Address

1. Tap on touchscreen.
2. Tap the Ethernet tab to view the IP Address.
3. Type the IP Address in your browser on the computer in the same local network.
4. Log in with the default case-sensitive username and password (both Admin).

##### Via Windows File Explorer

1. For Windows 7/8/8.1/10/11 users, you can find your Modator chassis in the Network > Other Device section of the File Explorer on your computer in the same local network.
2. Double click the device icon to open the Web UI.
3. Log in with the default case-sensitive username and password (both Admin).

### Warranty

Magewell offers a one-year Limited Warranty on the Modator Chassis. The accessories have a one-year Limited Warranty. For more detailed information, refer to [www.magewell.com/quality-assurance](http://www.magewell.com/quality-assurance)

"MAGEWELL" is registered trademark by Magewell. All other trademarks are the property of their respective holders. This guide is for reference only and does not constitute any form of commitment. Products and product features (including but not limited to color, size, etc.) are subject to change without notice.

Enjoy the latest product performance of Magewell products at our official website - [www.magewell.com](http://www.magewell.com)

### Technical Support

If you have any problems using Magewell products or need more technical information, please submit your questions via the online Ticket System ([tickets.magewell.com](http://tickets.magewell.com)).

### Subscribe and Like Us!

