

MR 50T

TWO-WAY PASSIVE SPEAKER

DESCRIPTION

MR 50T is a bass-reflex two-way speaker designed to deliver uncompromised audio performance and high reliability in fixed installations. Blend in with any environment and deliver deep bass, smooth midrange, and finely-detailed high-frequency response. Quality components and careful acoustic design make MR 50T the perfect speaker for listening in the most demanding applications.



FEATURES

- 60 W RMS power handling
- 110 dB max SPL
- 60 ÷ 20000 Hz frequency range
- 110° x 100° coverage angles
- 1 x 5" woofer (1" v.c.)
- 1 x 1" neodymium dome tweeter (0.8" v.c.)
- Self-extinguishing plastic cabinet
- Swivel wall mount accessory included
- M6 inserts available for optional U bracket
- 4 pole EUROBLOCK connector (audio input and parallel link output)

TECHNICAL SPECIFICATIONS

Acoustical specifications	Frequency Response (-10dB):	60 Hz ÷ 20000 Hz
	Max SPL @ 1m:	110 dB
	Horizontal coverage angle:	110°
	Vertical coverage angle:	100°
	Directivity index Q:	7
	System Sensitivity:	87 dB
Power section	Nominal Impedance (ohm):	8 ohm
	Power Handling:	60 W RMS
	Peak Power Handling:	240 W PEAK
	Recommended Amplifier:	120 W
	Protections:	Bulb lamp
	Crossover Frequencies:	3000 Hz
Transducers	Dome Tweeter:	1.0" neo, 0.8" v.c
	Nominal Impedance (ohm):	8 ohm
	Input Power Rating:	10 W AES, 20 W PROGRAM POWER
	Sensitivity:	93 dB, 1W @ 1m
	Woofer:	5.0", 1.0" v.c
	Nominal Impedance (ohm):	8 ohm
	Input Power Rating:	60 W AES, 120 W PROGRAM POWER
Sensitivity:	87 dB, 1W @ 1m	
Input/Output section	Input connectors:	Euroblock
	Output connectors:	Euroblock
	Constant Voltage Transformer:	70/100 V
	Power selection 1:	40 W - 250 ohm
	Power selection 2:	20 W - 500 ohm
	Power selection 3:	10 W - 1000 ohm
	Power selection 4:	5 W - 2000 ohm
Standard compliance	CE marking:	Yes
Physical specifications	Cabinet/Case Material:	Plastic
	Hardware:	Wall mount bracket
	Grille:	Steel
	Color:	Black - RAL 9005, White - RAL 9003
Size	Height:	270 mm / 10.63 inches
	Width:	187 mm / 7.36 inches
	Depth:	167 mm / 6.57 inches
	Weight:	4 kg / 8.82 lbs
Shipping informations	Package Height:	370 mm / 14.57 inches
	Package Width:	510 mm / 20.08 inches
	Package Depth:	250 mm / 9.84 inches
	Package Weight:	8.9 kg / 19.62 lbs



PART NUMBER

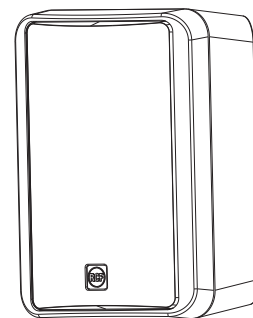
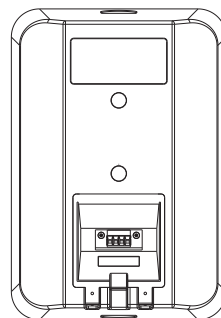
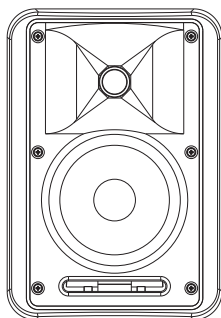
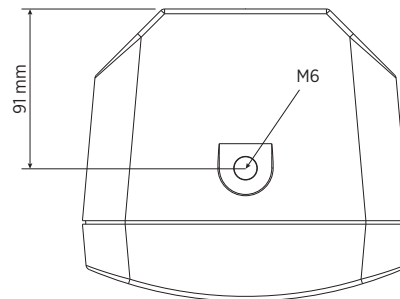
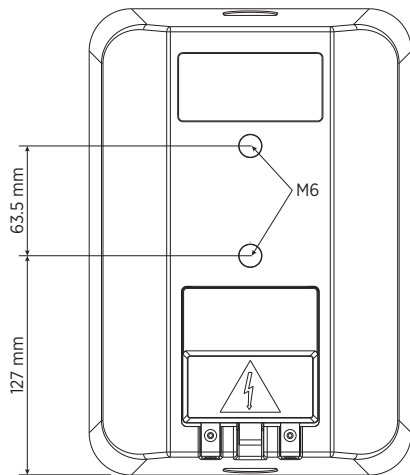
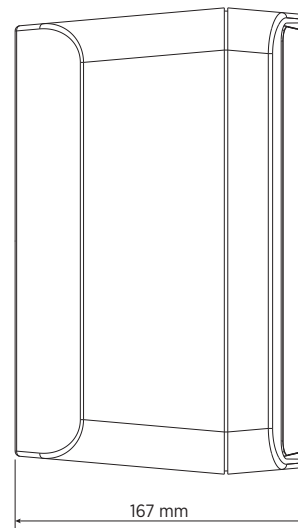
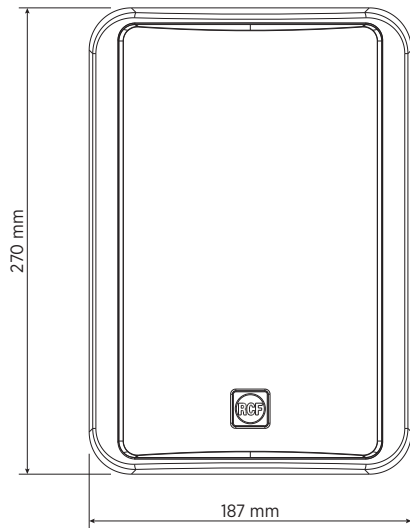
• **13100041**

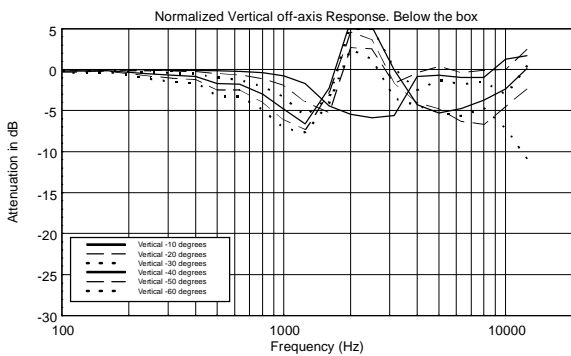
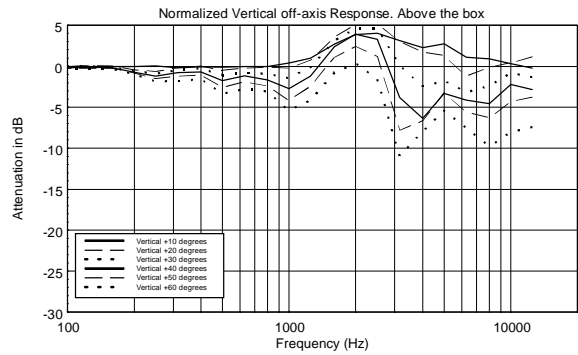
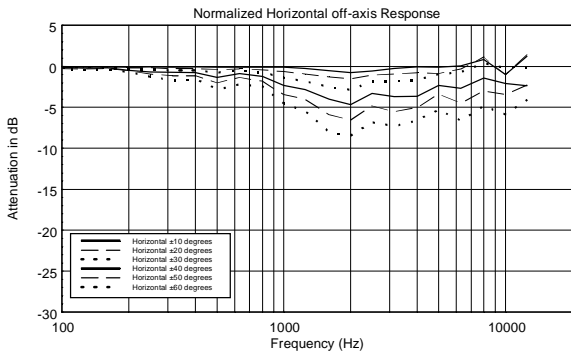
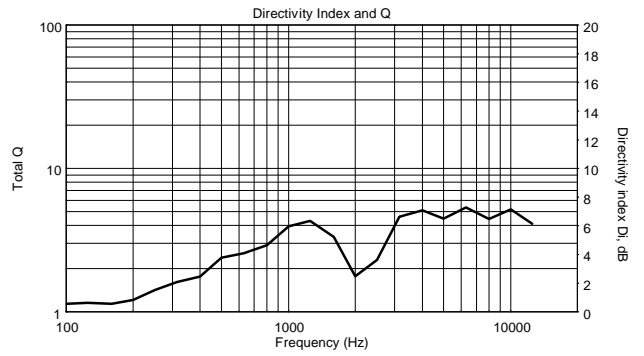
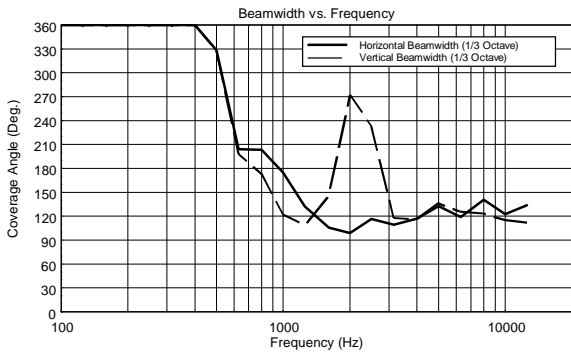
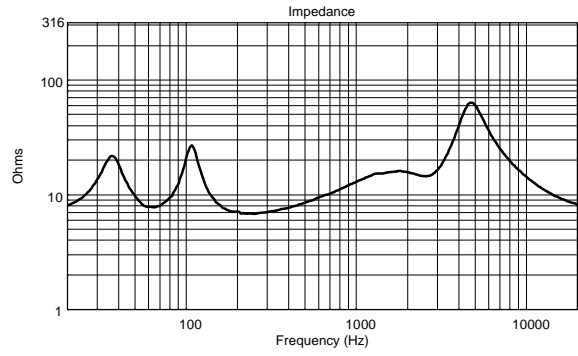
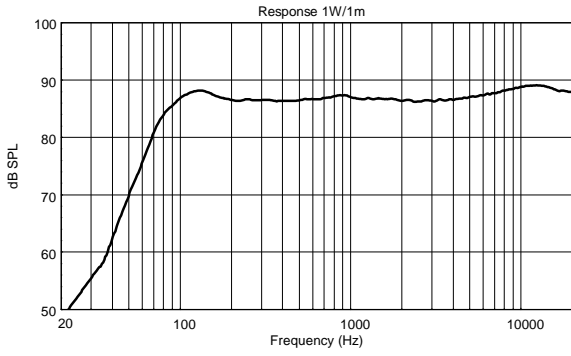
MR 50T W
White - RAL 9003
EAN 8024530017309

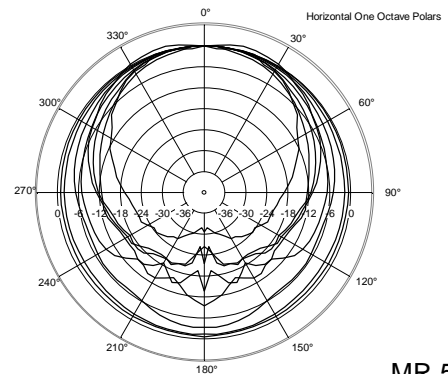
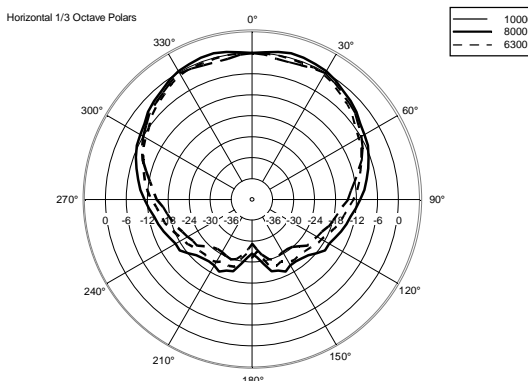
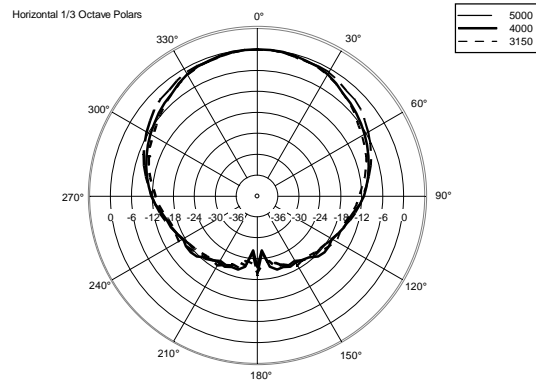
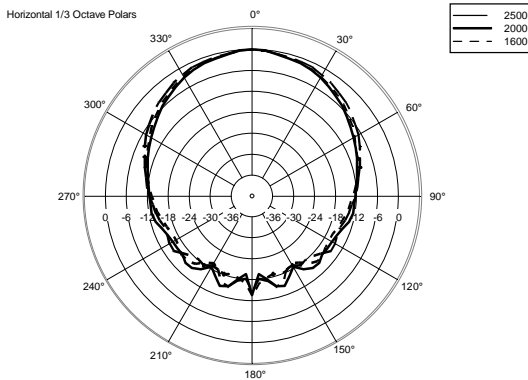
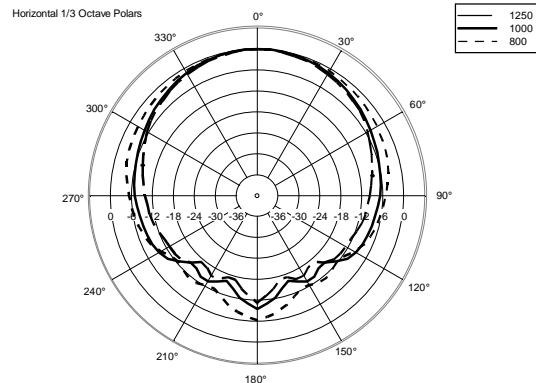
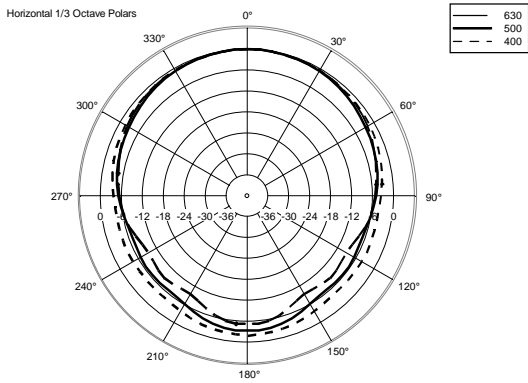
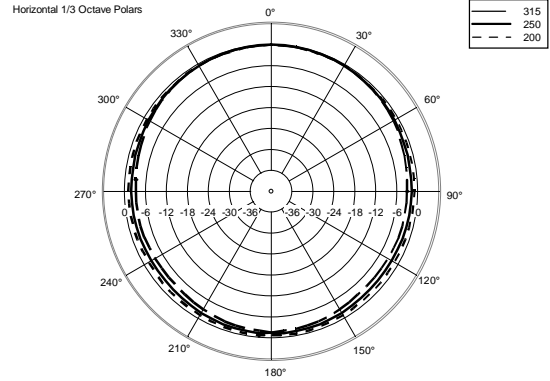
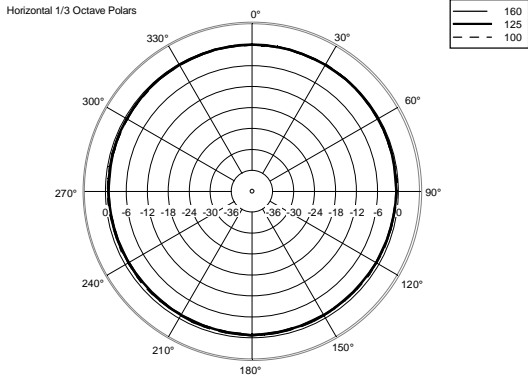
• **13100039**

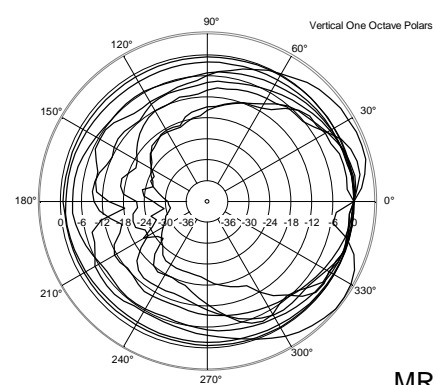
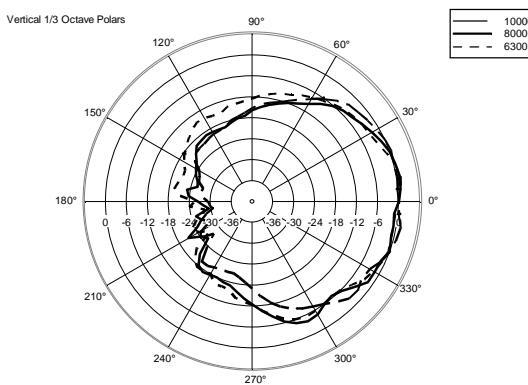
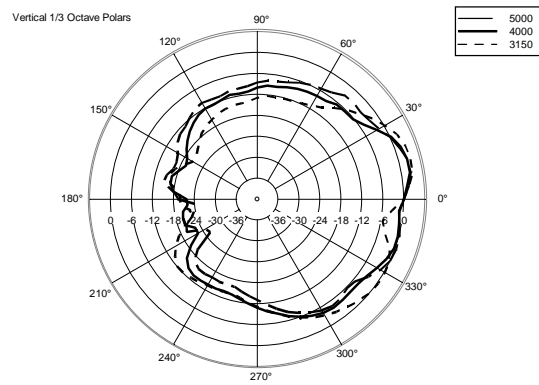
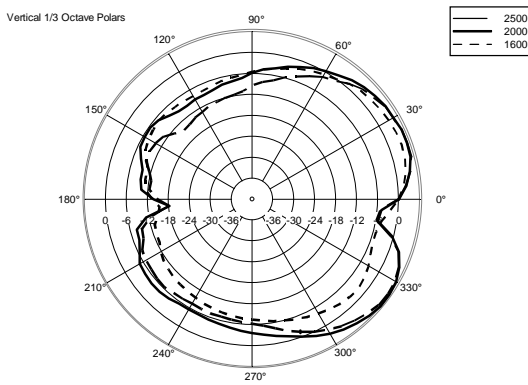
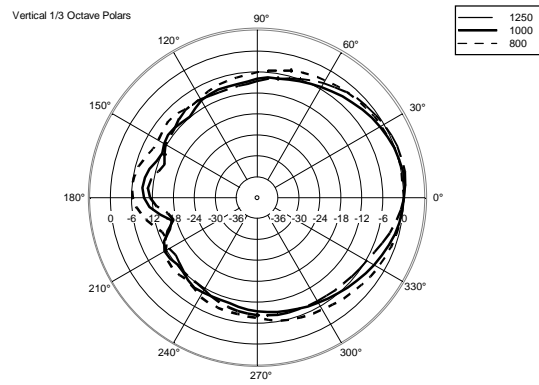
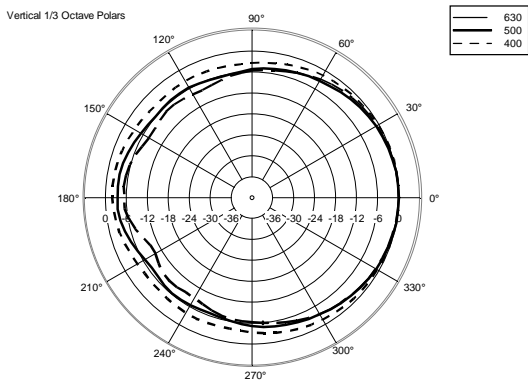
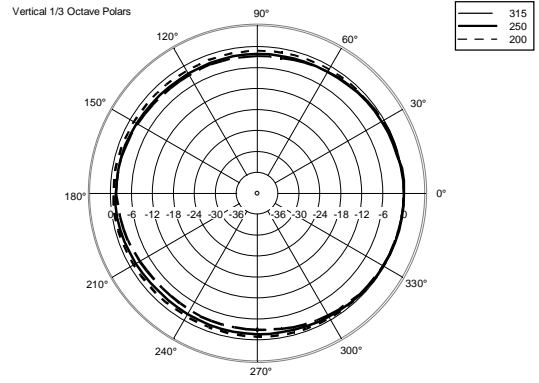
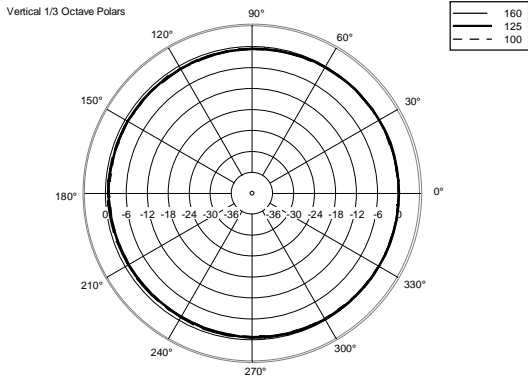
MR 50T
Black - RAL 9005
EAN 8024530017286

DRAWINGS









ACCESSORIES



MOUNTAING ACCESSORY MA 5

PART NUMBER **13360369**
EAN: 8024530014322



MOUNTAING ACCESSORY MA 5 W

PART NUMBER **13360370**
EAN: 8024530014339



A&E SPECIFICATIONS

The product shall be a multipurpose two-way bass-reflex speaker, suitable for a wide range of applications, providing a balanced sound in near-field applications to get the best intelligibility.

Its design shall be elegant and compact with accurate finishing, suitable for almost any environment, even with architectural constraints.

It shall be equipped with a 5" woofer and a 1" dome tweeter and shall include an internal transformer (with a power selector on the rear side) that allows the connection to 70 / 100 V constant voltage lines.

Optional mounting accessories shall be available for wall or ceiling installations.
