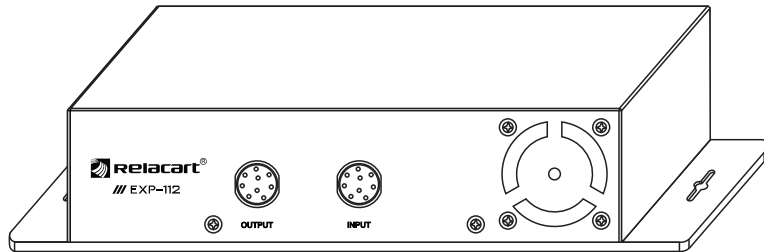


# EXP-112/EXP-124

## Conference System Repeater



The EXP-112/124 series is a repeater used in a wired conference system to provide a power connection for the microphone unit of the conference system, enhance the stability of the entire system, and increase the number of microphone units used.

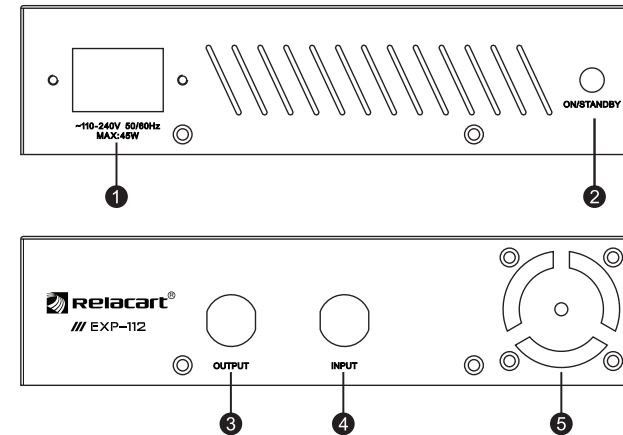
### Feature

- EXP series repeater is made of metal, which is sturdy, stylish. It can be fixed on the wall, the bottom of the table, etc., which is convenient for installation and use.
- Two 9P aviation male connectors are connected by a dedicated 9P aviation cable, one is the input and the other is the output.
- Communication signals can be amplified to enhance communication quality.
- EXP-112 has a built-in 45W/12V power module, which can provide power for 15 microphone units. EXP-124 has a built-in 72W/24V power module, which can provide power for 30 microphone units.
- Built-in a fan to ensure that the power supply maintains a good heat dissipation effect when working at high power.
- With a working indicator, it lights up in red when it is in standby and blue when it is working.

### Technical parameter

Model	EXP-112	EXP-124
Power supply (AC)	110-240V, 50/60Hz	110-240V, 50/60Hz
Output voltage	12V	24V
Maximum output power	45W	72W
Input/output terminal	9P aviation male	9P aviation male
Specification (mm)	220 (L) x 140 (W) x 48 (H)	220 (L) x 140 (W) x 48 (H)
Weight (g)	950	950

### Front and rear panel description



- 1 Power socket: Support AC 110-240V, 50/60Hz input.
- 2 Working indicator light: It lights up red when in standby and blue when it is working.
- 3 9P aviation male output terminal: connect the microphone unit of the next one.
- 4 9P aviation male input terminal: connect the microphone unit of the upper one.
- 5 Cooling fan.

### Connection Diagram

Conference system host

