

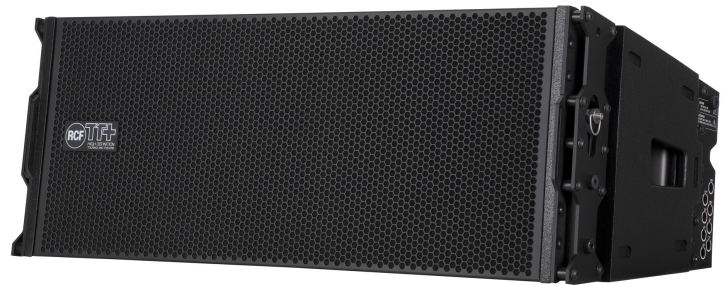
# TTL 33 WP

## WEATHERPROOF PASSIVE LINE ARRAY MODULE

### DESCRIPTION

The TTL33 WP is a compact, wide dispersion, 3 way passive line array module that offers the highest performance from a small size line array. The incredible high output and dynamics, the extreme accuracy and high frequency extension plus the compact size makes the TTL33 WP the ideal tool for outdoor sound reinforcement, live performances and events as well as fixed installations in theatres, concert halls or auditoriums. TTL33 WP includes the LICC- Low Impedance Compensated Crossover that features markedly lower induction values in series with the woofer. The benefit is delay reduction, reduced phase shift and superior transient response.

For a superior power handling high power, aluminium case, resistors are used in the crossover network. Connections to the amplifier are made through a watertight multi-pole connector. The grille is in custom perforated aluminum with open-cell fibers and water repellent woven fabric backing. The cabinet is constructed of multi-ply baltic birch plywood and finished in a very resistant, textured, polyurea black paint.



### FEATURES

- Very compact size
- Maximum output per size available on the market
- Wide, constant directivity, horizontal coverage angle
- 6 high power neodymium transducers
- Minimum weight
- Watertight multi-pole connector IP67
- LICC (Low Impedance Compensated Crossover Network)
- Baltic birch cabinet

## TECHNICAL SPECIFICATIONS

<b>Acoustical specifications</b>	Frequency Response (-10dB):	55 Hz ÷ 20000 Hz
	Max SPL @ 1m:	133 dB
	Horizontal coverage angle:	100°
	Vertical coverage angle:	15°
	System Sensitivity:	100 dB
<b>Power section</b>	Nominal Impedance (ohm):	8 ohm
	Power Handling:	600 W RMS
	Peak Power Handling:	2400 W PEAK
	Recommended Amplifier:	1200 W
	Protections:	Active mosfet compression driver
	Crossover Frequencies:	500 Hz
<b>Transducers</b>	Compression Driver:	1.0", 1.4" v.c
	Nominal Impedance (ohm):	8 ohm
	Input Power Rating:	75 W AES, 150 W PEAK
	Sensitivity:	109 dB, 1W @ 1m
	Midrange:	8", 2.5" v.c
	Nominal Impedance (ohm):	8 ohm
	Input Power Rating:	250 W AES, 500 W PEAK
	Sensitivity:	98 dB, 1W @ 1m
	Woofer:	2 x 8", 2.5" v.c
	Nominal Impedance (ohm):	8 ohm
	Input Power Rating:	600 W AES, 1200 W PEAK
Sensitivity:	95 dB, 1W @ 1m	
<b>Input/Output section</b>	Input connectors:	Amphenol eco/mat IP 67
	Output connectors:	Amphenol eco/mat IP 67
<b>Standard compliance</b>	CE marking:	Yes
<b>Physical specifications</b>	Cabinet/Case Material:	Baltic birch plywood
	Hardware:	Array side fittings
	Handles:	2 side
	Grille:	Steel with waterproof clothing
	Color:	Black
<b>Size</b>	Height:	290 mm / 11.42 inches
	Width:	760 mm / 29.92 inches
	Depth:	365 mm / 14.37 inches
	Weight:	30 kg / 66.14 lbs
<b>Shipping informations</b>	Package Height:	395 mm / 15.55 inches
	Package Width:	875 mm / 34.45 inches
	Package Depth:	545 mm / 21.46 inches
	Package Weight:	34 kg / 74.96 lbs



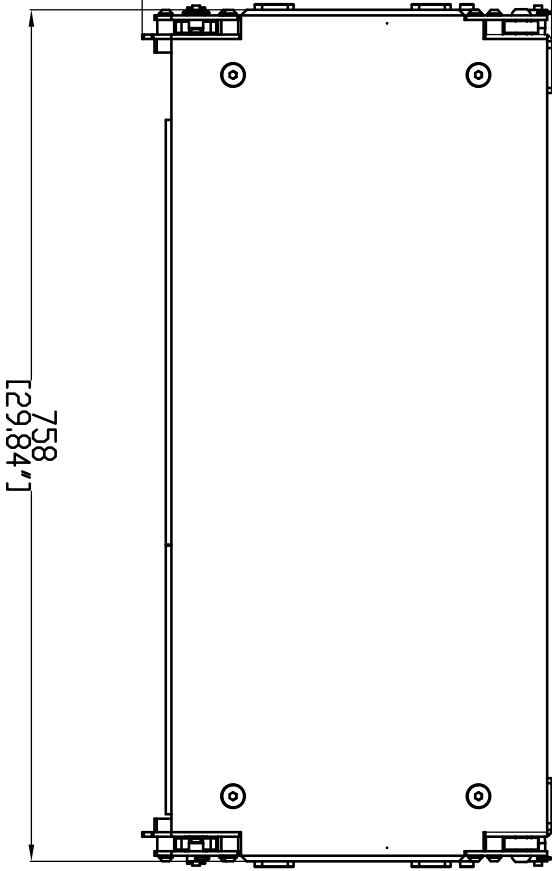
**PART NUMBER**

- **13000248**

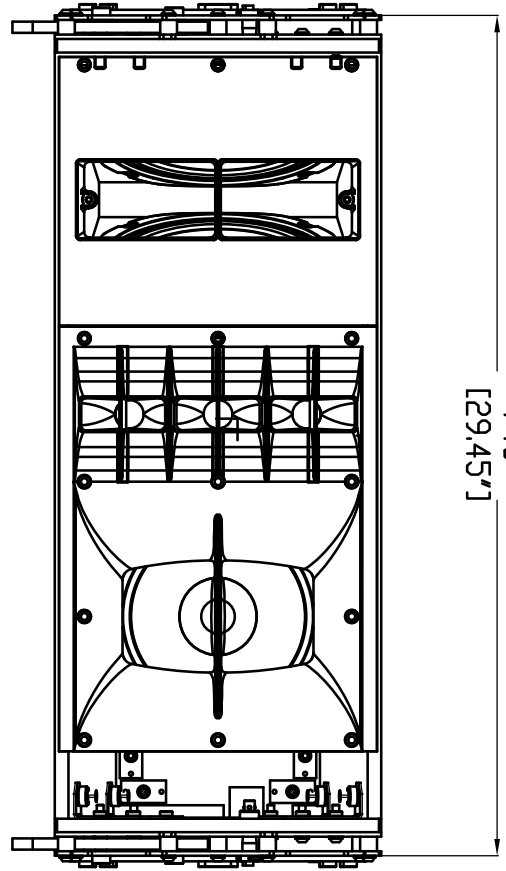
TTL 33 WP

EAN 8024530008956

364,5  
[14,35"]

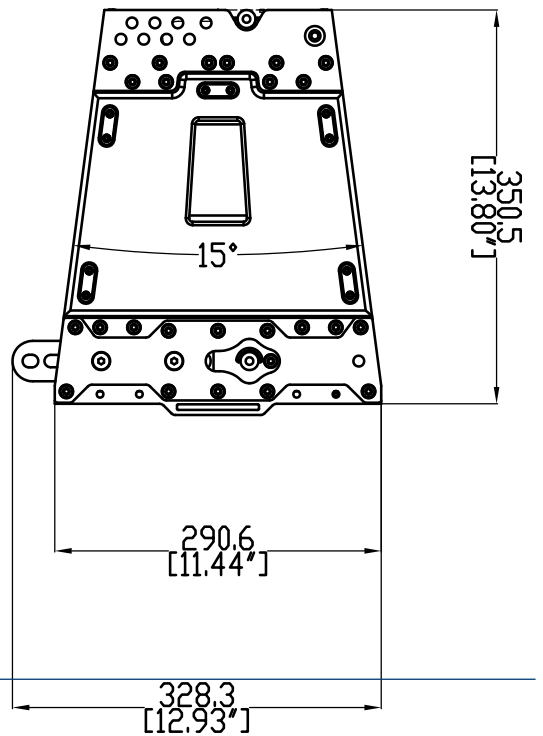


758  
[29,84"]



748  
[29,45"]

TT33-WP



350,5  
[13,80"]

290,6  
[11,44"]

328,3  
[12,93"]