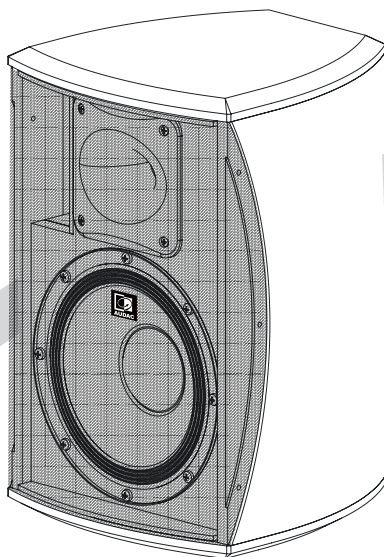


# VEXO 8

## User & Installation Manual



[www.audac.eu](http://www.audac.eu)



# Introduction

## Compact high power loudspeaker

The VEX08 is a high-output loudspeaker cabinet, featuring an 8" high efficiency mid/low range driver and 1" compression driver fitted with a 100° x 80° coverage horn, providing a powerful and detailed sound in a compact cabinet.

The exceptional accuracy and clarity coming from this compact cabinet is recommended to be extended with a complementary bass cabinet adding the punchy & deep bass, resulting in a stunning sound over the entire frequency range.

Their elegant enclosure allows them to be used in modern & trendy installation applications such as bars and nightclubs, while their functional features make them perfect for use in compact mobile systems.

It delivers a powerful sound with an RMS rating of 175 Watt, and a maximum of 350 Watt. Compression driver overload protection is provided through an internal limiting circuit.

Connections are made using two speaker connectors allowing linkthrough to other cabinets. Mounting in both horizontal and vertical direction is possible with the included wall bracket and the rotatable horn. An optional 35 mm pole adapter can be installed when used in mobile applications.

The VEX08 loudspeaker is available in Black (/B) or White (/W).

# Precautions

## READ FOLLOWING INSTRUCTIONS FOR YOUR OWN SAFETY

- ALWAYS KEEP THESE INSTRUCTIONS FOR FUTURE REFERENCE. NEVER THROW THEM AWAY
- ALWAYS HANDLE THIS UNIT WITH CARE
- CLEAN ONLY WITH DRY CLOTH
- HEED ALL WARNINGS AND FOLLOW ALL INSTRUCTIONS
- NEVER EXPOSE THIS EQUIPMENT TO RAIN, MOISTURE, ANY DRIPPING OR SPLASHING LIQUID. AND NEVER PLACE AN OBJECT FILLED WITH LIQUID ON TOP OF THIS DEVICE
- DO NOT INSTALL THIS UNIT NEAR ANY HEAT SOURCES SUCH AS RADIATORS OR OTHER APPARATUS THAT PRODUCE HEAT
- DO NOT PLACE THIS UNIT IN ENVIRONMENTS WITH A HIGH LEVEL OF DUST, HEAT, MOISTURE OR VIBRATION
- THIS UNIT IS DEVELOPED FOR INDOOR USE ONLY. DO NOT USE IT OUTDOORS
- ONLY USE ATTACHMENTS & ACCESSORIES SPECIFIED BY THE MANUFACTURER.
- ONLY INSTALL THE SPEAKER IN LOCATIONS THAT CAN STRUCTURALLY SUPPORT THE WEIGHT OF THE SPEAKER. IGNORING THIS CAN BRING THE SPEAKER DOWN.
- DO NOT USE ANY OTHER METHOD THAN SPECIFIED TO MOUNT THE SPEAKER. IF EXTREME FORCE IS APPLIED TO THE SPEAKER, IT COULD FALL DOWN
- ATTACH A SAFETY WIRE TO THE SPEAKER WHEN IT IS MOUNTED HIGH UP. ONLY USE INDUSTRY-ACCEPTED RIGGING TOOLS AND METHODS
- CAREFULLY CHECK THE UNIT'S CONDITION AFTER UNPACKING. IF THERE IS ANY DAMAGE TO THE CARTON BOX OR THE UNIT ITSELF, INFORM YOUR VENDOR IMMEDIATELY.

## CAUTION

- USE CABLES OF THE RIGHT GAUGE TO CONNECT THE LOUDSPEAKER
- USE CABLES WITH CLEAR COLOUR CODING INDICATING THE POLARITY AND MAINTAIN THE SAME POLARITY THROUGHOUT THE WHOLE SYSTEM.
- ONLY USE THE CORRECT AMPLIFIER OUTPUT VOLTAGE AND IMPEDANCE. EXCEEDING THESE LIMITS COULD CAUSE FIRE OR OTHER FAILURES.  
**AVOID EXPLOSIONS:** DO NOT USE THE SPEAKER AROUND GASOLINE, THINNER OR OTHER COMBUSTIBLES
- AVOID ELECTRIC SHOCKS: SWITCH OFF THE AMPLIFIER WHEN CONNECTING THE LOUDSPEAKER
- DO NOT USE THE LOUDSPEAKER FOR AN EXTENDED PERIOD OF TIME AT DISTORTED SOUND. THIS COULD CAUSE PERMANENT DAMAGE.



### CAUTION – SERVICING

This product contains no user serviceable parts. Refer all servicing to qualified service personnel. Do not perform any servicing (unless you are qualified to do so.)



### EC DECLARATION OF CONFORMITY

This product conforms to all the essential requirements and further relevant specifications described in following directives: 2004/108/EC (EMC) and 2006/95/EC (LVD)



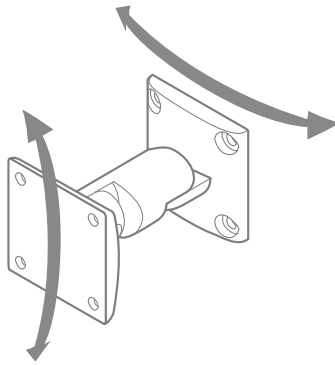
### WASTE ELECTRICAL AND ELECTRONIC EQUIPMENT (WEEE)

The WEEE marking indicates that this product should not be disposed with regular household waste at the end of its product life. This regulation is created to protect both the environment and human health.

This product is developed and manufactured with high quality materials and components which can be recycled and/or reused. Please dispose this product to your local collection point or recycling centre for electrical and electronic waste. This will make to sure that it will be recycled on an environmentally friendly manner, and will help to protect the environment in which we all live.

# Installing the VEXO Revolving mounting bracket

Every VEXO speaker is standard delivered with a two-way revolving bracket, making it possible to install the speaker at each location and focusing it into the desired direction. The loudspeaker can be installed in both horizontal and vertical way using this mounting bracket. The vertical installation method provides an additional advantage when the installation height on the wall or ceiling is limited by focussing the loudspeaker more directly downwards.

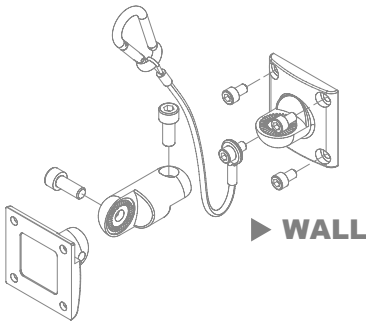


The two-way revolving bracket is made out of extra strong zinc-alloy material which ensures a solid and secure mounting of the loudspeaker. One horizontal and one vertical revolving point ensure easy focusing of the loudspeaker into any direction.

To realise an optimal installation, distribution of the forces on the revolving points and freedom in focusing of the loudspeaker, it is recommended to install the swivel points of the loudspeaker in a way that the revolving point on the wall plate is positioned in a horizontal direction and the revolving point on the speaker plate is positioned in a vertical direction.

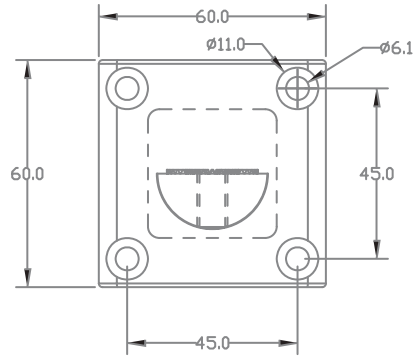
The speaker plate has to be fixed to the loudspeaker cabinet by inserting the 4 supplied mounting screws into the pre-drilled and threaded holes at the back of the speaker cabinet.

The wall plate has to be fixed to the wall by four screws with appropriate fasteners depending of the installation surface (brick, concrete, wood, ...). The holes position is made in a quadrangular shape with a mutual distance of 45 mm, as shown in the drawing. The fixation ring on the included safety cable should be fixed around one of the wall screws, while the snap hook shall be hooked around the eye-bolt on the cabinet's back.



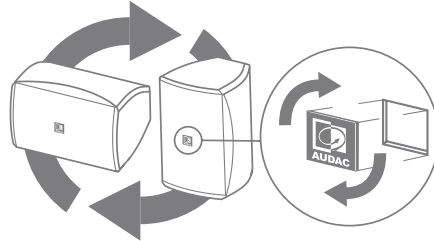
**SPEAKER** ◀

## Rotatable logo



Depending on the mounting direction of the loudspeaker (either horizontally or vertically), the logo on the front grill of the loudspeaker that is held in place by a spring loaded mechanism can be rotated into the direction the speaker is mounted.

By placing a flat object between the logo and the recessed surface in the grill and the logo, the logo will move forward because of the spring loaded mechanism and can be rotated into the right position.



## Connecting

The wires coming from the amplifier should be connected to the speaker connector on the back of the loudspeaker. The used speaker connectors are 4-pin models where to the full range signal should be connected to +1/-1 terminals. The second connector can be used for linking the signal coming from the amplifier to other loudspeakers, resulting in a parallel network of multiple loudspeakers.



**Mind the polarity markings when wiring the loudspeaker cables.**

# Additional Information

## Technical specifications

RMS Power		175 Watt
Max. Power		350 Watt
Nominal impedance		8 Ohm
Sensitivity 1W / 1m		92 dB
Sound pressure Max W / 1m		115 dB
Frequency response –3 dB		65 Hz – 20 kHz
Frequency range –10 dB		55 Hz – 20 kHz
Cross-over frequency		1.25 kHz
Cross-over network		Passive Built-in
Drivers		1" HF Compression horn tweeter 8" MF / LF woofer
Coverage		100° x 80° (rotatable)
Connectors		2 x Speaker connectors (linkthrough)
Mounting bracket		2-Way revolving Zinc-Alloy
Construction		Medium density wood with structured coating
Front finish		Perforated steel grill
Colour	VEX08/W VEX08/B	White (RAL9003) Black (RAL9004)
Dimensions		250 x 380 x 262 mm
Weight (Incl Bracket)		9.70 Kg
Packaging		Carton box
Shipping weight & Volume		10.6 Kg – 0.050 Cbm
Accessories included		2-Way revolving mounting bracket Steel safety cable with snap hook
Optional accessories		WBP100 Wall bracket mounting plate CHB196 35mm pole adapter