



# CELO8S

High-end 8" ceiling subwoofer

## Highlights:

---

- 100 Watt RMS power
- 8" Aluminum membrane drivers
- Terminal block connection (Lockable Phoenix style)
- Reduce cable and amplifier channel usage thanks to integrated stereo crossover
- SlimLine™ grill with 1mm thin border
- Paintable front grill
- Elegant & unobtrusive design
- Warm & true to nature sound

The CELO8S is the next step in our journey to provide an impeccable musical atmosphere. This 8" ceiling subwoofer is fitted with a stiff and light aluminum membrane, minimizing ceiling vibrations and resulting in energetic depths from above, while the open back design enables the CELO8S to reproduce low frequencies in the most natural way possible. Its integrated stereo crossover enables you to effortlessly connect your satellite speakers, resulting in the absolute finest full-range sound experience in the most efficient way possible.

To overcome the architectural challenges of the most luxurious interior designs, the CELO8S is fitted with our SlimLine™ grill design with an exceptionally thin border of only 1 mm and a minimized grill depth, extruding merely 3.2 mm from the ceiling surface. In addition, the grill is completely paintable, making the speaker disappear without sacrificing any sound quality. This elegant and unobtrusive grill is held in place by means of powerful neodymium magnets, making assembly and disassembly simple and reliable.

Without the speaker grill installed, it's clear for anyone to see that the CELO8S is made by using only the highest quality materials, guaranteeing an unsurpassed sound experience. This results in true to nature sound reproduction for a warm and detailed sound with an RMS power of 50 Watt per channel and 100 Watt when connected in parallel.

When installed with accompanying satellite speakers, the volume of these satellites relative to the subwoofer can be increased and decreased by 3 dB, according to the installation setup and preferred sound.

Depending on the acoustical properties of your room and placement of the subwoofer, the sub can be better integrated into your room when switched to either 0° or 180° by adjusting the phase switch. We recommend 0° when all speakers are mounted in a flat wall or ceiling.

## Applications:

---

- Bars, restaurants
- Retail
- Public facilities
- Corporate spaces
- Residential



## Impedance:

---

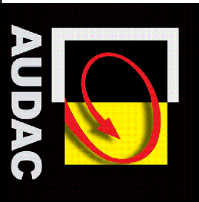
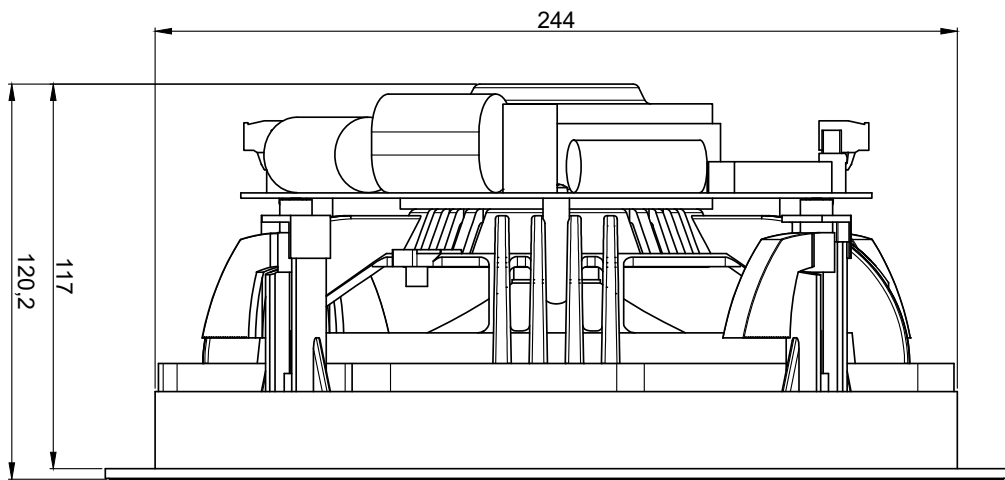
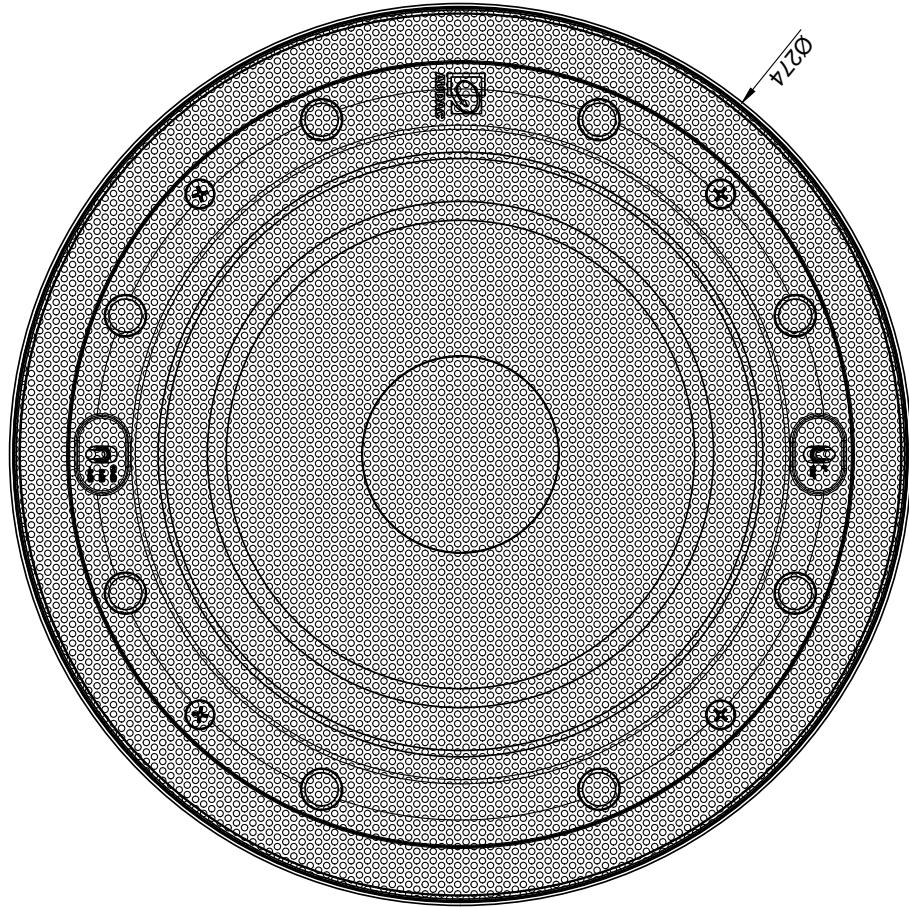


## System specifications:

Max. Power		2 x 100 W
RMS Power		2 x 50 W
Impedance		8 $\Omega$
Sensitivity (1W/1m)		83 dB
Sound Pressure (Max. W/1m)		103 dB
Frequency	Response ( $\pm$ 3 dB)	45 Hz - 200 Hz
Crossover	Type	Passive built-in
	Frequency	200 Hz
Connectors	Input	4-pin Euro Terminal Block (Pitch - 3.81 mm)
	Output	8-pin Euro Terminal Block (Pitch - 5.08 mm)
Drivers		8" Aluminium membrane

## Product Features:

Dimensions		275 x 120 mm ( $\varnothing$ x D)
Weight		2.75 kg
Construction		ABS
Front finish		Thin edged white grill (RAL9003)
Cut-out measurement		250 mm ( $\varnothing$ )
Built-in depth		117 mm
Mounting & handling		4 Screw quick-fixing mechanism
Operating temperature		-20 $^{\circ}$ C ~ 60 $^{\circ}$ C
Colours		Black frame & white grill
Accessories	Included	GLC08/W - White grill (RAL9003)
	Optional	GLC08/B - Black grill (RAL9005)
		GLC08/P - Paintable grill



<p><b>CELO8S</b></p>	<p><b>Product description:</b> HIGH-END SLIM IN CEILING SUBWOOFER 8" WITH INTEGRATED STEREO X-OVER</p>	<p><b>Unit height:</b> N/A</p>
<p><b>Weight:</b> 2,7 kg</p>	<p><b>Outer dimensions:</b> (w x h x d) Ø274 x 120,2</p>	