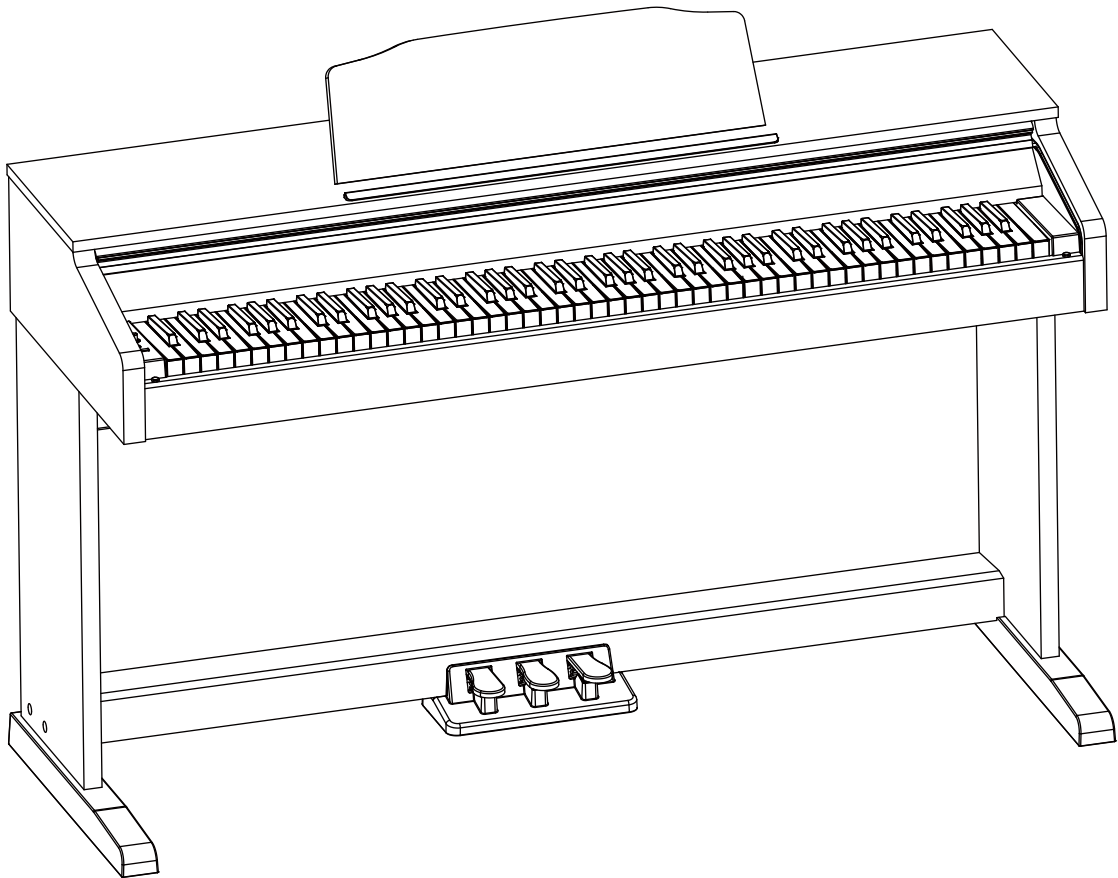


 **Roland**

RP30
DIGITAL PIANO

Owner's Manual



Before using this unit, carefully read “USING THE UNIT SAFELY” and “IMPORTANT NOTES” (the leaflet “USING THE UNIT SAFELY”). After reading, keep the document(s) where it will be available for immediate reference.

Copyright © 2017 ROLAND CORPORATION

Intellectual Property Right

- It is forbidden by law to make an audio recording, video recording, copy or revision of a third party’s copyrighted work (musical work, video work, broadcast, live performance, or other work), whether in whole or in part, and distribute, sell, lease, perform, or broadcast it without the permission of the copyright owner.
- Do not use this product for purposes that could infringe on a copyright held by a third party. We assume no responsibility whatsoever with regard to any infringements of third-party copyrights arising through your use of this product.
- The copyright of content in this product (the sound waveform data, style data, accompaniment patterns, phrase data, audio loops and image data) is reserved by Roland Corporation.
- Purchasers of this product are permitted to utilize said content (except song data such as Demo Songs) for the creating, performing, recording and distributing original musical works.
- Purchasers of this product are NOT permitted to extract said content in original or modified form, for the purpose of distributing recorded medium of said content or making them available on a computer network.
- Roland is an either registered trademark or trademark of Roland Corporation in the United States and/or other countries.
- Company names and product names appearing in this document are registered trademarks or trademarks of their respective owners.

Panel Description

Front Panel.....	4
Pedal.....	4
Rear Panel.....	5

Setup

Setup Guide.....	6
Power Supply.....	8

Connections

Connecting a pair of Headphones.....	9
Connecting an Audio Equipment.....	9
Connecting an MP3/CD Player.....	9
Connecting a Computer.....	9

Adjusting the Master Volume.....	10
---	-----------

Playing the Demo Song.....	10
-----------------------------------	-----------

Tone

Selecting a Tone.....	11
Layering Two Tones.....	11
Key Touch.....	11

DSP Effect

Reverb.....	12
Chorus.....	12
EQ.....	12

Metronome.....	13
-----------------------	-----------

Tempo.....	14
-------------------	-----------

Transpose.....	14
-----------------------	-----------

Master Tuning.....	15
---------------------------	-----------

Auto Power Off.....	15
----------------------------	-----------

Troubleshooting.....	16
-----------------------------	-----------

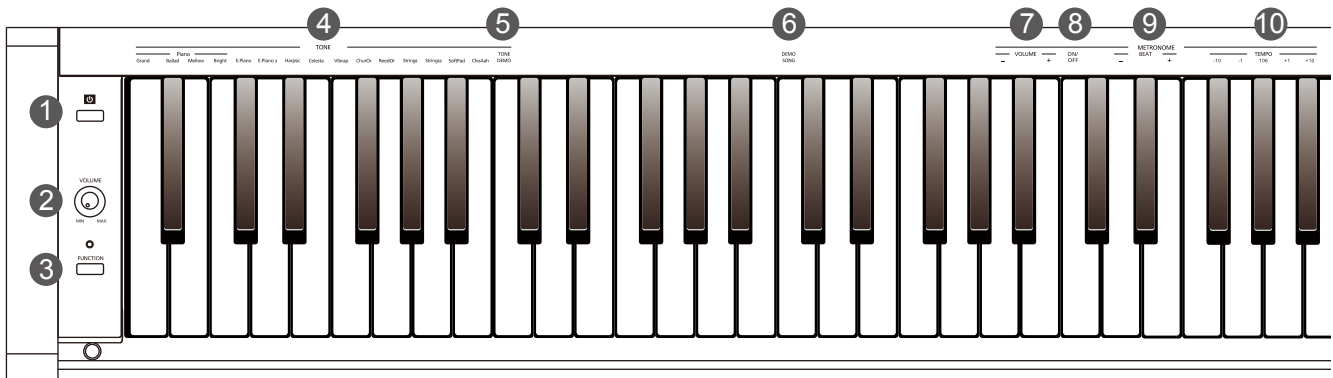
Specification.....	16
---------------------------	-----------

Appendices

Tone List.....	17
Demo List.....	17
MIDI Implementation Chart.....	18

Panel Description

Front Panel



1. [POWER] Switch

Turn the power on or off.

2. [VOLUME] Knob

Adjust the master volume.

3. [FUNCTION] Button

Press and hold it to access secondary functions of other keys.

4. [TONE] Keys

Press and hold the [FUNCTION] button, then press one of these keys to select a preset tone.

5. [TONE DEMO] Key

Press and hold the [FUNCTION] button, then press this key to start or stop playing the tone demo.

6. [DEMO SONG] Key

Press and hold the [FUNCTION] button, then press this key to start or stop playing the demo song.

7. [VOLUME] Keys

Press and hold the [FUNCTION] button, then press one of these keys to adjust the metronome volume.

8. [METRONOME ON/OFF] Key

Press and hold the [FUNCTION] button, then press this key to turn the metronome on/off.

9. [BEAT] Keys

Press and hold the [FUNCTION] button, then press one of these keys to set the metronome time signature.

10. [TEMPO] Keys

Press and hold the [FUNCTION] button, then press one of these keys to edit the tempo value.

Pedal

17. Soft Pedal

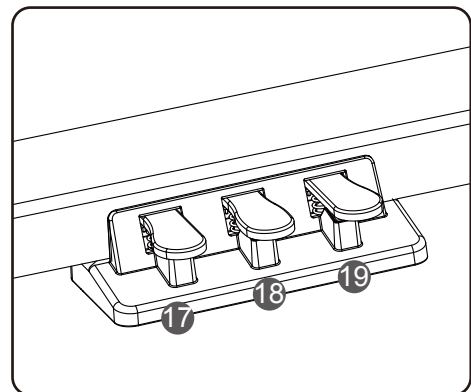
When you step on the soft pedal, all notes played on the keyboard will have a softer effect.

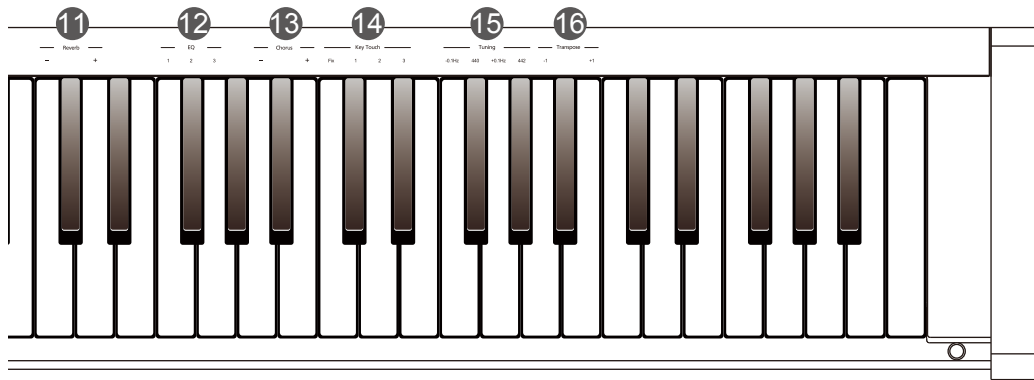
18. Sostenuto Pedal

When you step on the sostenuto pedal, the notes played before you step on the pedal will have a sustain effect.

19. Sustain Pedal

When you step on the sustain pedal, all notes played on the keyboard will have a longer sustain.





11. [Reverb] Keys

Press and hold the [FUNCTION] button, then press one of these keys to select a reverb effect type.

12. [EQ] Keys

Press and hold the [FUNCTION] button, then press one of these keys to select the desired EQ type.

13. [Chorus] Keys

Press and hold the [FUNCTION] button, then press one of these keys to select a chorus effect type.

14. [Key Touch] Keys

Press and hold the [FUNCTION] button, then press one of these keys to select an appropriate touch level.

15. [Tuning] Keys

Press and hold the [FUNCTION] button, then press one of these keys to adjust the current tuning.

16. [Transpose] Keys

Press and hold the [FUNCTION] button, then press one of these keys to adjust the transpose value.

Rear Panel

20. USB Port

Connect to a computer.

21. AUX OUT Jack

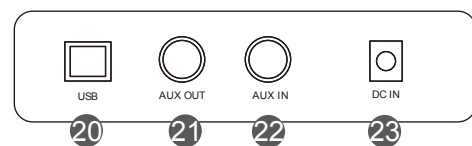
Connect to an external audio equipment.

22. AUX IN Jack

Connect an external audio source, such as an MP3 or CD player.

23. DC IN Jack

Connect the specified power adaptor.



Setup

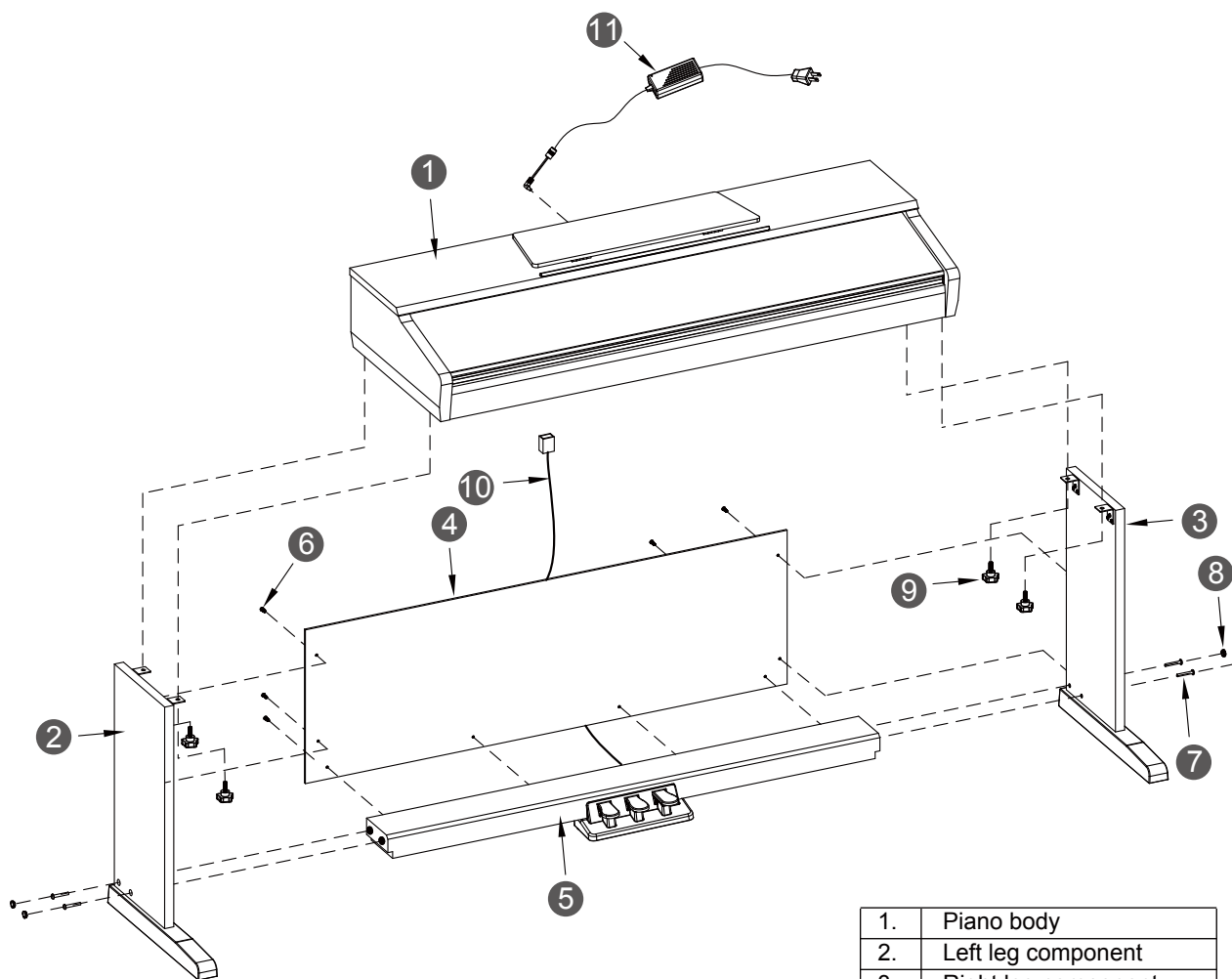
This section contains information about setting up your instrument and preparing to play. Please go through this section carefully before turning the power on.

Setup Guide

Check that all the parts listed below are included before proceeding.

To assemble the stand, you will need a Philip's screwdriver (not supplied).

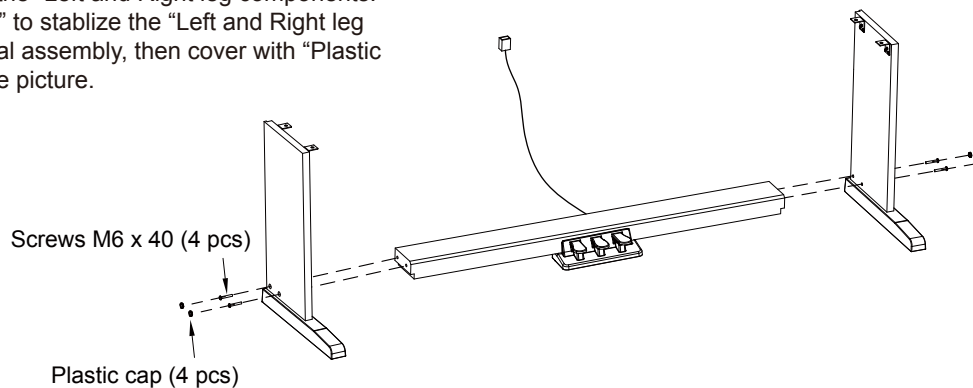
- Be careful not to pinch your hands or drop this unit on your foot during assembly or transport.
- Make sure to enlist the help of at least one other person when assembling this unit and moving it to a different location.
- After firmly tightening all the screws, place the unit at a location that is level and sure to remain stable.
- The surface of the piano unit and the stand are very delicate; handle with care to avoid scratching them.
- Do not place the piano unit directly on the floor. Doing so will damage the connectors and holders on the bottom of the piano.



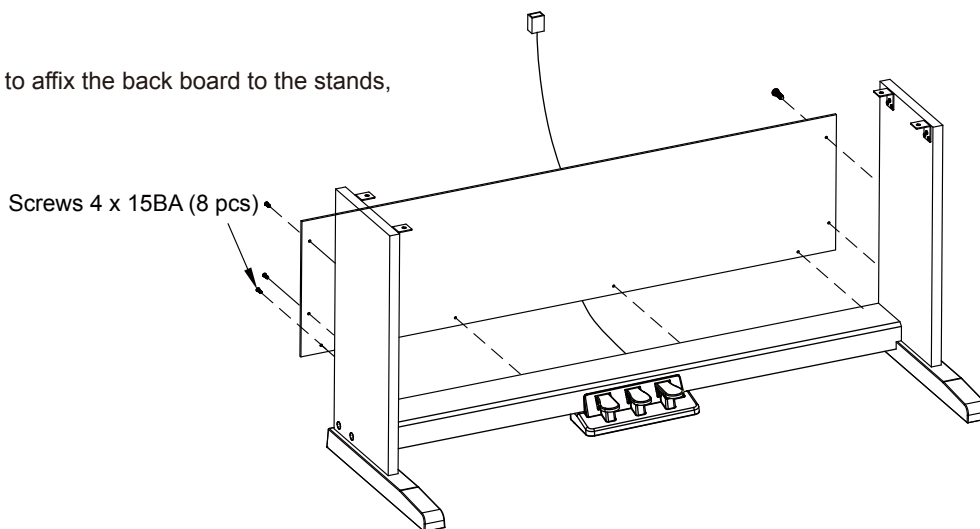
1.	Piano body
2.	Left leg component
3.	Right leg component
4.	Back board
5.	Pedal box
6.	Screws 4 x 15BA (8 pcs)
7.	Screws M6 x 40 (4 pcs)
8.	Plastic cap (4 pcs)
9.	Hand screws (4 pcs)
10.	Pedal cable
11.	AC adaptor

- If necessary, spread out a blanket or similar material to prevent the stand or floor from being scratched during assembly.
- Be careful not to pinch the pedal cable during assembly.
- When handling the piano, firmly grasp it. Be careful, so you do not get your fingers pinched.

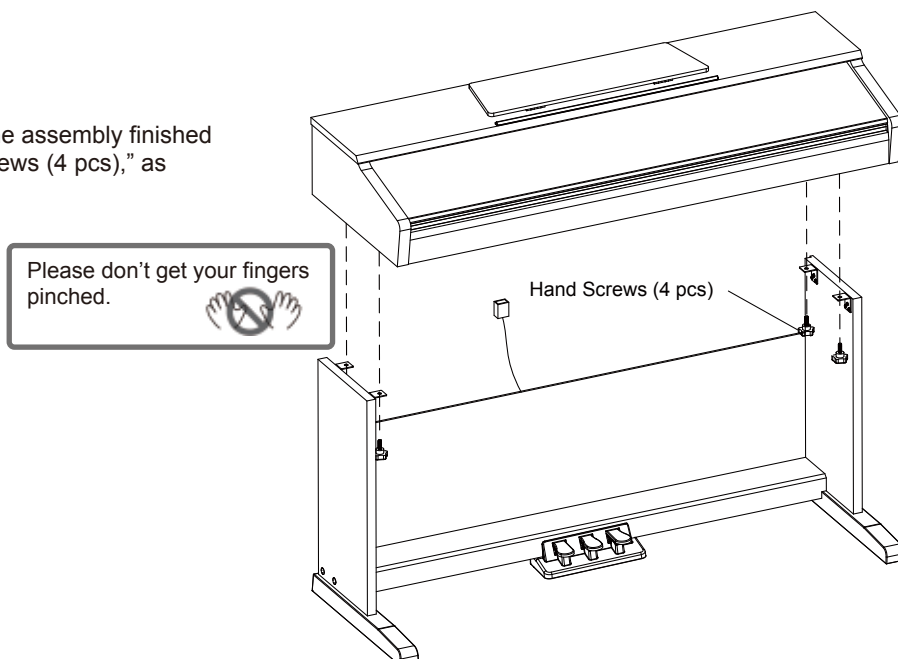
A. Put the "Pedal box" between the "Left and Right leg components."
Use "Screws M6 x 40 (4 pcs)" to stabilize the "Left and Right leg components" onto to the pedal assembly, then cover with "Plastic caps (4 pcs)," as shown in the picture.



B. Use "Screws 4 x 15BA (8 pcs)" to affix the back board to the stands, as shown in the picture.

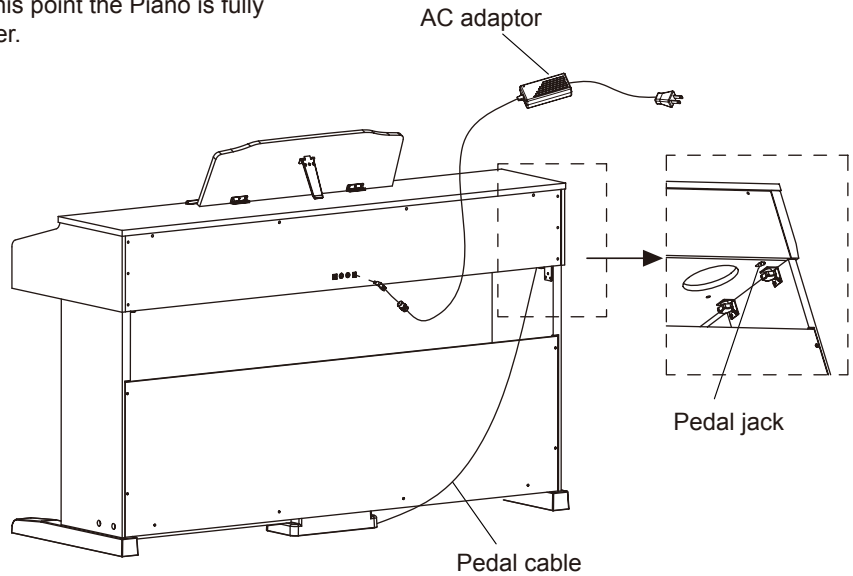


C. Put the "Piano body" on the top of the assembly finished in part B, then affix it with "Hand screws (4 pcs)," as shown in the picture.



Setup

D. Connect the "Pedal cable" to the pedal jack at the bottom rear of the Piano. Then connect the power cable to the power jack, and plug the other end into an AC outlet. At this point the Piano is fully assembled and you can turn on the power.

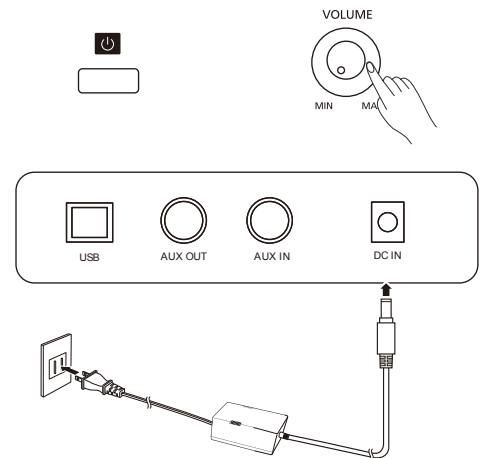


Power Supply

1. Before connecting the power supply, please set the master volume level to minimum.
2. Connect the power adaptor to the DC IN jack on the rear panel.
3. Plug the power adaptor into an appropriate AC outlet.
4. Press the [POWER] switch. The panel LED will turn on, indicating the instrument is powered on.

Note:

For your safety, please unplug the instrument when it is not in use or during a thunderstorm.



Connections

Connecting a pair of Headphones

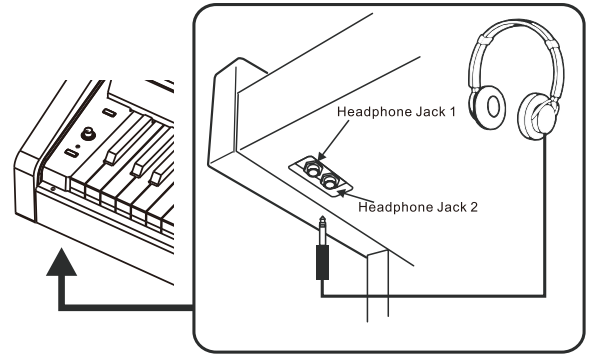
Plug a pair of standard stereo headphones into the Headphone jack for private practice or late-night playing.

Jack 1: When headphones are connected to Jack 1, sound can be heard from the headphones and speakers.

Jack 2: When headphones are connected to Jack 2, the internal speakers will be muted, and the sound can only be heard from the headphones.

Note:

To avoid the risk of hearing loss, do not use headphones at high volume level for a long period of time.



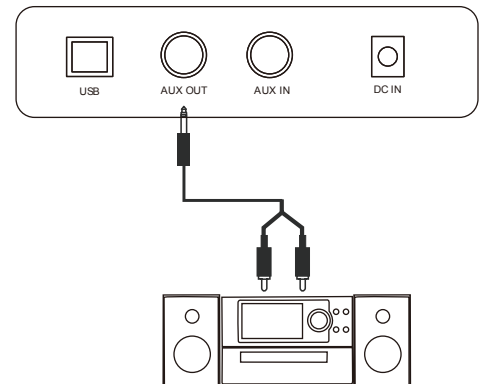
Connecting an Audio Equipment

The AUX OUT jack delivers the output of the instrument to external audio equipment such as a keyboard amplifier, stereo sound system, mixing console, or recording interface.

Use an audio cable to connect the AUX OUT jack of the instrument to the INPUT jack of the external audio equipment.

Notes:

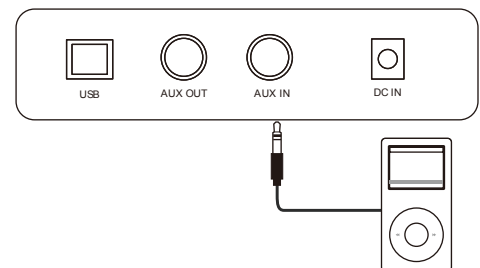
1. Turn off the power to all devices before connecting or disconnecting external equipment.
2. To avoid damaging the speakers, set the master volume level to minimum before turning on the power.



Connecting an MP3/CD Player

The AUX IN jack receives audio signals from an external audio source such as an MP3 or a CD player.

Use an audio cable to connect the AUX IN jack of the instrument to the OUTPUT jack of an MP3/CD player. The instrument's speakers will play the music transmitted from the external player, and you can play along.



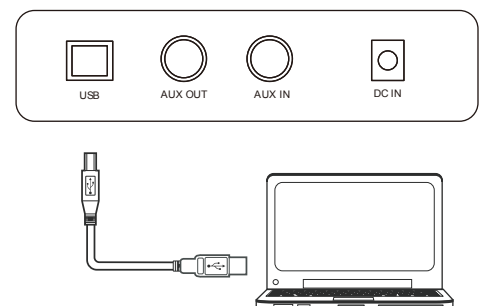
Connecting a Computer

Use a standard USB cable to connect the USB jack of the instrument to the USB port of a computer.

With USB, you can save the MIDI data played on the keyboard to the computer or use the instrument to play back the MIDI data played on the computer.

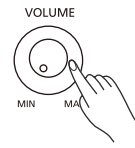
Note:

Do not set the USB MIDI device to be both input and output simultaneously when configuring the software on your computer. Otherwise, the sound will be overlapped when playing the keyboard.



Adjusting the Master Volume

Rotate the [VOLUME] knob clockwise to increase the master volume or counter-clockwise to decrease it. Adjust to set the desired volume level.



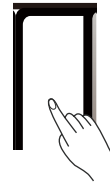
Note:

If the speakers do not produce sound, please check if the master volume is set too low or if headphones are plugged into Jack 2.

Playing the Demo Song

Press and hold the [FUNCTION] button, then press the key marked [DEMO SONG] to start playing the demo song. Press the key again to stop playing the demo song.

DEMO
SONG



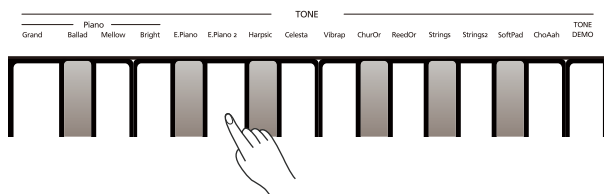
Note:

During demo playback, playing the keyboard will not produce sound.

Selecting a Tone

The instrument features 15 tones. Please refer to the Tone List for details.

Press and hold the [FUNCTION] button, then press one of the [TONE] keys to select a desired tone.

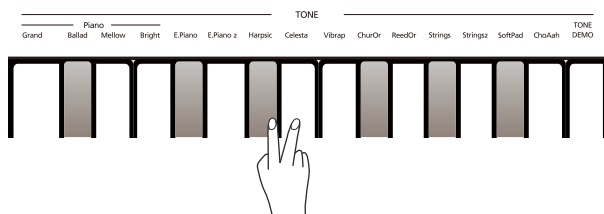


Layering Two Tones

The Dual mode allows two different tones to be layered together, creating a more full and rich sound.

Press and hold the [FUNCTION] button, then press two [TONE] keys to enter Dual mode.

In Dual mode, if you play the keyboard, you will hear two different tones playing together, just like two different instruments being played at the same time.



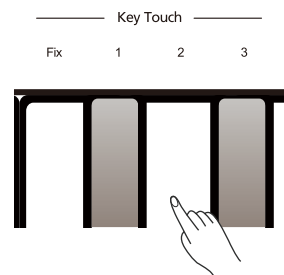
Note:

The first [TONE] key you press will be set as the upper tone (tone 1), and the second [TONE] key you press will be set as the dual tone (tone 2).

Key Touch

The Key Touch feature allows you to expressively control the voice level based on your playing dynamics.

Press and hold the [FUNCTION] button, then press one of the [Key Touch] keys to select an appropriate touch level. There are 3 types of touch settings (Fix, 1–3). The default setting is “2.” Selecting “Fix” will result in a fixed volume level, no matter how hard or how softly you play the keys.



Parameter	Description
Fix	Fixed
1	Soft
2	Medium
3	Hard

DSP Effect

Reverb

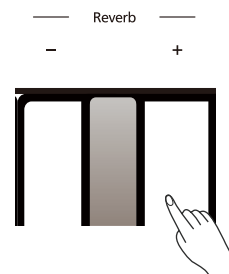
Press and hold the [FUNCTION] button, then press one of the [Reverb] keys to select a reverb type.

There are 4 reverb types (Off, 1–4). The default setting is “2 Small Hall.”

Note:

Press and hold the [FUNCTION] button, then press the [Reverb +] and [Reverb -] keys at the same time to restore the default reverb type.

Parameter	Description
0	OFF
1	Room
2	Small Hall
3	Large Hall
4	Church



Chorus

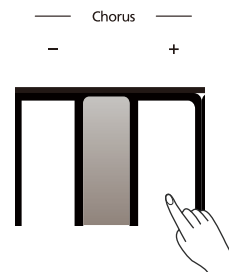
Press and hold the [FUNCTION] button, then press one of the [Chorus] keys to select a chorus type.

There are 4 chorus types (Off, 1–4). The default setting is “0 OFF.”

Note:

Press and hold the [FUNCTION] button, then press the [Chorus +] and [Chorus -] keys at the same time to restore the default chorus type.

Parameter	Description
0	OFF
1	Light Chorus
2	Medium Chorus
3	Deep Chorus
4	Flanger



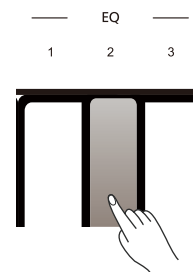
EQ

An EQ controls the gain value of different frequency bands. Different gain settings will produce different sound effects.

Press and hold the [FUNCTION] button, then press one of the [EQ] keys to select an EQ type.

There are 3 EQ types (1–3). The default setting is “1 Standard.”

Parameter	Description
1	Standard
2	Classic
3	Modern



The metronome provides a steady beat to help you practice at a preset tempo.

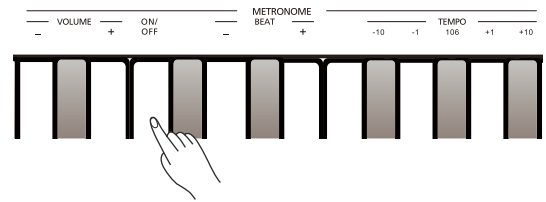
To turn the metronome on or off:

Press and hold the [FUNCTION] button, then press the [METRONOME ON/OFF] key to turn the function on or off. While the demo song is playing, the LED indicator of the [FUNCTION] button flashes with the current tempo.

The tempo of the metronome can be adjusted. Please refer to “Tempo” for details.

Note:

The metronome function is disabled in Demo Song mode.

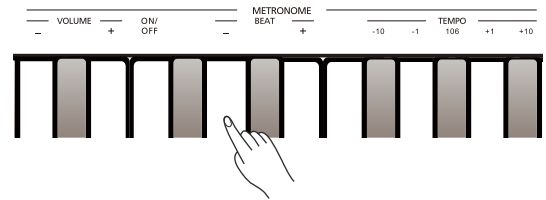


To change the metronome time signature:

Press and hold the [FUNCTION] button, then press one of the [BEAT] keys to change the time signature of the metronome, over a range of 0, 2–6.

Note:

Press and hold the [FUNCTION] button, then press the [BEAT +] and [BEAT -] keys at the same time to restore the default setting “4.”

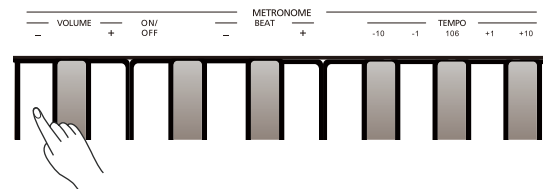


To set the metronome volume:

Press and hold the [FUNCTION] button, then press one of the [VOLUME] keys to set the metronome volume, over a range of 0–10.

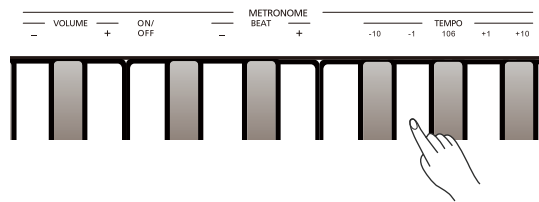
Note:

Press and hold the [FUNCTION] button, then press the [VOLUME +] and [VOLUME -] keys at the same time to restore the default volume “7.”



Tempo

Press and hold the [FUNCTION] button, then press one of the [TEMPO] keys to set the desired tempo, over a range of 30–280.



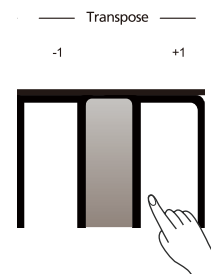
Transpose

The transpose function allows the overall pitch of the instrument to be transposed up or down in semitone steps, over a range of -6–+5.

Press and hold the [FUNCTION] button, then press one of the [Transpose] keys to set the transpose value. For example, set the transpose value to -5, you will hear “G” pitch when playing the “C” keys.

Note:

Press and hold the [FUNCTION] button, then press the [Transpose +1] and [Transpose -1] keys at the same time to restore the default setting “0.”



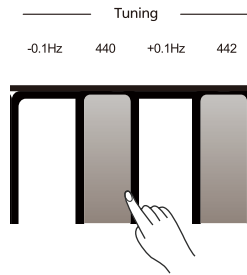
Parameter	Description
+1	To raise the overall pitch by 1 semitone.
-1	To lower the overall pitch by 1 semitone.

Master Tuning

This function adjusts the pitch of the instrument in 0.1 Hz increment over a range of 415.3 Hz–466.2 Hz.

Press and hold the [FUNCTION] button, then press one of the [Tuning] keys to adjust the pitch of the keyboard.

For example, if you press and hold the [FUNCTION] button, then press the key marked [440], it will set the tuning to 440 Hz.

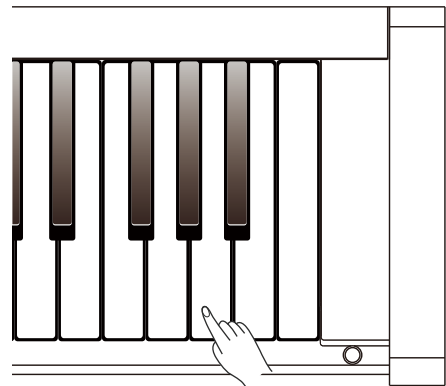


Parameter	Description
+0.1 Hz	To raise the pitch by 0.1 Hz.
-0.1 Hz	To lower the pitch by 0.1 Hz.

Auto Power Off

The instrument will automatically shut down after 30 minutes of inactivity. You can disable this function or change the time setting.

1. To disable this function: press and hold the key “C8” (the first key to right side of the keyboard), then turn on the power.
2. To set the time to 240 minutes: press and hold the key “B7,” then turn on the power.
3. To set the time to 30 minutes: press and hold the key “A#7,” then turn on the power.
4. To set the time to 10 minutes: press and hold the key “A7,” then turn on the power.



Troubleshooting

Problem	Possible Cause and Solution
The speakers produce a pop sound when the power is turned ON/OFF.	This is normal and no cause for alarm.
Speakers do not sound when the keyboard is played.	Check if the master volume is set too low or if headphones are plugged into Jack 2.
When using a mobile phone, noise is produced.	Using a mobile phone in close proximity to the instrument may produce interference. To prevent this, turn off the mobile phone or keep it away from the instrument when using.

Specification

Keyboard	
Keyboard	88 Graded Hammer-Action Keys
Touch Response	3 types, Off
Voices	
Polyphony (max.)	128
Tone	15 presets
Layer	Right 1, Right 2
Effects	
Master EQ	3 types
Reverb	4 types, Off
Chorus	4 types, Off
Song	
Demo	1 piano demo
Pitch Adjustment	
Transpose	-6–+5
Master Tuning	415.3Hz - 466.2Hz
Other Functions	
Metronome	0, 2–6
Tempo	30–280
Other control	Tone demo; Metronome volume (0–10)
Connections	
Interaction & Expansion	USB MIDI
Phones	2 standard stereo
Pedals	Sustain, Soft, Sostenuto
USB	USB MIDI
Input	Standard stereo
Output	Standard stereo
Power Supply	
Power	DC 15 V / 2,500 mA
Auto Power Off	Yes
Amplifiers & Speakers	
Amplifiers	10 W x 2
Speakers	25 W x 2
Dimensions & Weight	
Dimensions	1,380 (W) x 485 (D) x 850 (H) mm
Weight	48 kg

Tone List

NO.	Tone Name (for panel printing)	Tone Name
1	Grand	Grand Piano
2	Ballad	Ballad Piano
3	Mellow	Mellow Piano
4	Bright	Bright Piano
5	E.Piano	Ele. Piano
6	E.Piano2	Ele. Piano 2
7	Harpsic	Harpsichord
8	Celesta	Celesta
9	Vibrap	Vibraphone
10	ChurOr	Church Organ
11	ReedOr	Reed Organ
12	Strings	Stereo Strings
13	Strings2	Stereo Strings 2
14	SoftPad	Soft Pad
15	ChoAah	Choir Aahs

Demo List

NO.	English Name
1	Fantasia

MIDI Implementation Chart

Function		Transmitted	Recognized	Remarks
Basic	Default	1	ALL	
Channel	Changed	x	1-16	
Mode	Default	x	3	
	Messages	x	3	
	Altered	*****	x	
Note Number	Note	0-127	0-127	
	:True voice	*****	0-127	
Velocity	Note on	o 9nH,V=1-127	o 9nH,V=1-127	
	Note off	x (9nH,V=0)	o(9nH,V=0; 8nH,V=0-127)	
After Touch	key's	x	x	
	Ch's	x	x	
Pitch Bend		x	o	
Control Change	0	o	o	Bank Select
	1	x	o	Modulation
	5	x	o	Portamento Time
	6	o	o	Data Entry
	7	o	o	Volume
	10	x	o	Pan
	11	x	o	Expression
	64	o	o	Sustain Pedal
	65	x	o	Portamento ON/OFF
	66	o	o	Sostenuto Pedal
	67	o	o	Soft Pedal
	80	x	o	Reverb Program
	81	x	o	Chorus Program
	91	o	o	Reverb Level
	93	o	o	Chorus Level
	120	x	o	All Sound Off
	121	x	o	Reset All Controllers
	123	o	o	All Notes Off
Program Change	: True	*****	1-127	
System Exclusive		x	o	
System Common	:Song Position	x	x	
	:Song Select	x	x	
	:Tune	x	x	
System Real Time	:Clock	o	x	
	:Commands	x *1	x *1	
Aux Messages	:LOCAL ON/OFF	x	x	
	:Active sense	x	o	
	:Reset	x	o	
Notes: *1				
When the accompaniment is started, an FAH message is transmitted.				
When the accompaniment is stopped, an FCH message is transmitted.				

- Mode 1: OMNI ON, POLY
- Mode 2: OMNI ON, MONO

- Mode 3: OMNI OFF, POLY
- Mode 4: OMNI OFF, MONO

- o: YES
- x: NO

