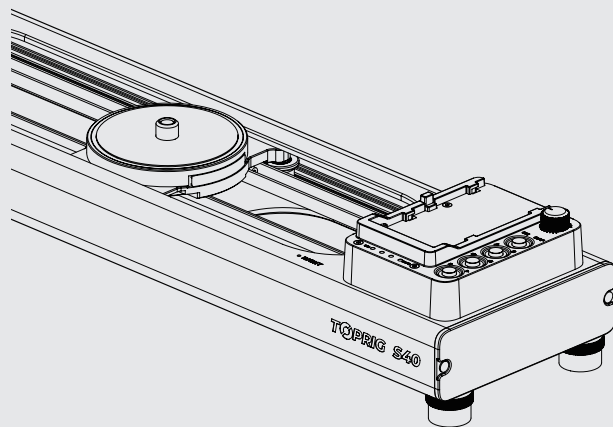


TOPRIG
by ACCSOON®

TOPRIG
by ACCSOON®



S40
VIDEO SLIDER

User Manual | 使用说明书 | V2.0

CONTENTS

General Information

In the Box.....02	Overview.....02
Key Features.....04	How to Install.....05

Functions

Power On/Off.....08	Calibration.....08
AB Point Setting.....09	Loop Mode.....10
Speed Control.....10	
Stationary Object Tracking&Panoramic Mode Setting.....10	

APP

App Connect.....12	Calibration.....13
AB Point Setting.....13	Loop Mode.....14
Video Shooting.....14	Time-Lapse.....14
Firmware Update.....15	Specs16

Warranty

基本信息

包装详单.....18	主体介绍.....18
特点.....20	安装说明.....21

基础功能

开关机.....24	行程校准.....24
AB 点设置.....25	循环模式.....26
速度调节.....26	
追焦扫景设置.....26	

APP

App 和滑轨连接.....28	行程校准.....29
AB 点设置.....29	循环模式.....30
视频拍摄.....30	延时摄影.....30
固件升级.....31	产品规格表32

保修说明

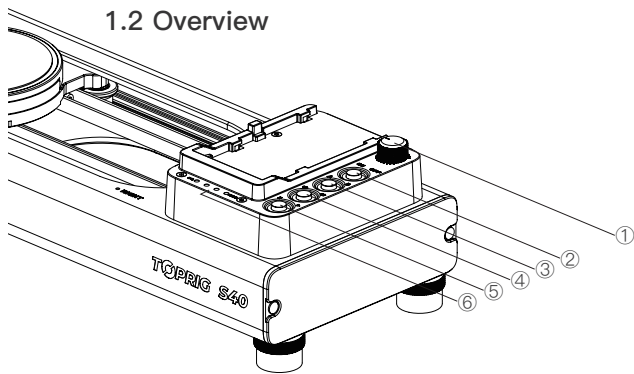
01 General Information

1.1 In the Box

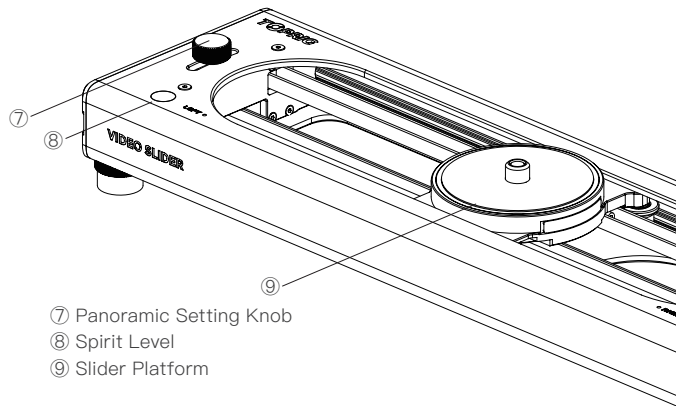


- Slider × 1
- Hexagon Wrench × 1
- Replacement Belt × 1

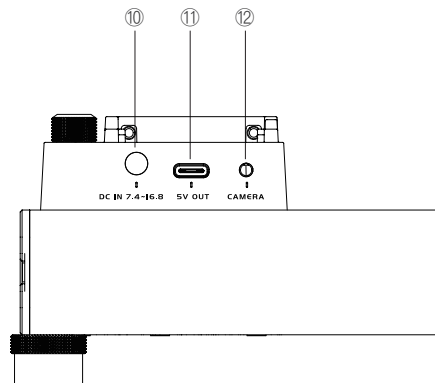
1.2 Overview



- ① Speed Control
- ② Power On/Off
- ③ AB Setting
- ④ Loop Mode
- ⑤ Start/Stop
- ⑥ Power Indicator



- ⑦ Panoramic Setting Knob
- ⑧ Spirit Level
- ⑨ Slider Platform



- ⑩ DC
- ⑪ 5V Output
- ⑫ Shutter Release Port



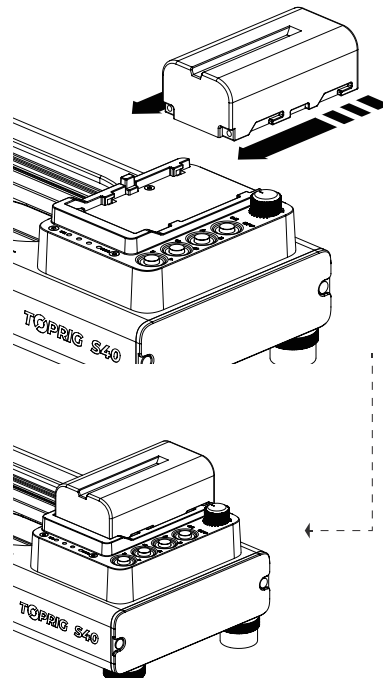
1.3 Key Features

- Brushless Motor
- Stable
- Adjustable Speed
- Dual-axis Camera Motions
- APP Control
- AB Point Setting
- Time-Lapse
- Silent

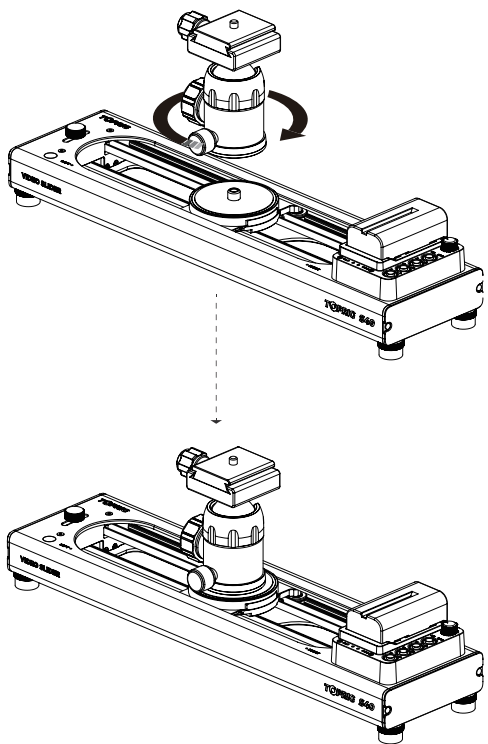
1.4 How to Install

Step 1 **Install battery (not included)**

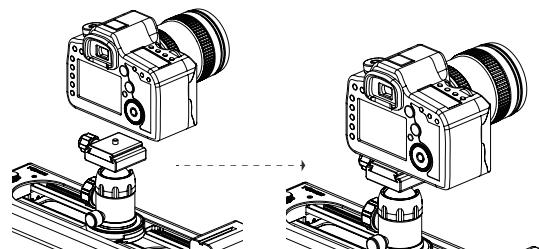
Battery compatibility: NP-F550/NP-F750/NP-F950



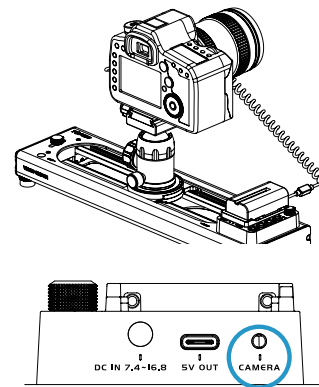
Step 2 Install the tripod ball head (not included) onto the slider



Step 3 Install the camera



Step 4 Connect the shutter extension cable (not included)



Shutter Release Port

02 Functions



- Speed Control
- Power On/Off
- AB Point Setting
- Loop Mode
- Start/Stop

2.1 Power On/Off



Power On: Press the power button
Power Off: Press and hold the power button for 2 seconds

2.2 Calibration

Please calibrate the slider before use.



How to calibrate:

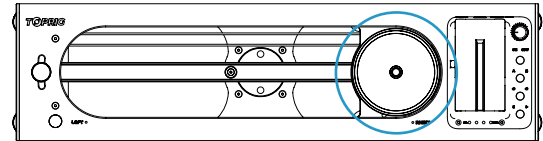
Press the Start/Stop button after powering on and the slider will automatically complete the calibration.

2.3 AB Point Setting

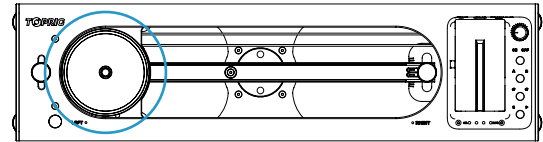
1. Default AB Point

The default AB point of the slider upon powering on is shown below:

B



A



2. Customize AB Point

- ① Move the slider to the 1st position
- ② Press the AB point setting button to set point A (indicator light A on)
- ③ Move the slider to the 2nd position
- ④ Press the AB point setting button to set point B (indicator light B on)
- ⑤ Setting complete



3. Cancel AB point setting

After the AB setting is completed, press the AB point setting button again to cancel the AB point. The indicator lights A and B will both be turned off.

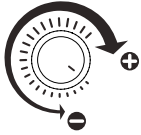
2.4 Loop Mode

Slider S40 supports Single-loop mode and Infinite-loop mode, with single-loop mode being the default mode.



Setting: Press the loop mode button to switch between the two modes.

2.5 Speed Control

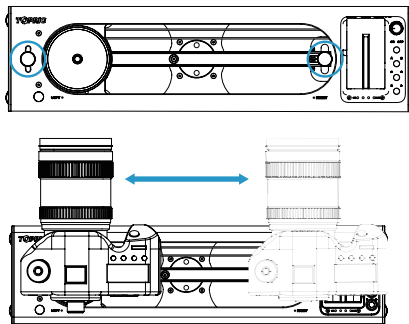


Speed control range: 0.1–5.0cm/s

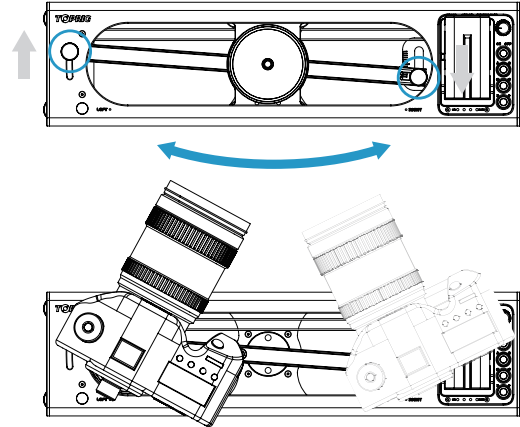
Control the speed of the slider by rotating the speed control knob.

2.6 Stationary Object Tracking & Panoramic Mode Setting

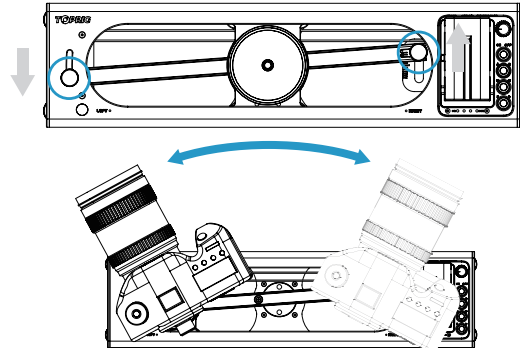
2.6.1 Pan Shooting Mode: Adjust the knob to the center as shown below.



2.6.2 Focus Shooting Mode: Adjust the knob to the upper left and lower right as shown below.



2.6.3 Panoramic Shooting Mode: Adjust the knob to the lower left and upper right as shown below.



03 App

TopRig App Features

- Calibration
- Video Shooting
- Loop Mode
- AB Point Setting
- Time-Lapse
- Firmware Update

3.1 App Download

Please download the App- TopRig from Google Play Store or iOS Apple Store.

3.2 App Connect

TopRig App connects to Slider S60 via Bluetooth. To use the TopRig App, please enable Bluetooth on your mobile device.



Step 1
Open the TopRig App



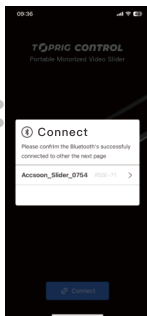
Connect

Step 2
Tap Connect Device

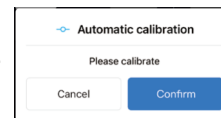
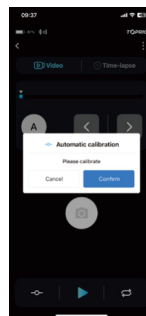


Step 3
Select the device 'Slider_****'

Step 4
Tap 'Confirm'



3.3 Calibration



Step 1

Tap 'Calibration'



Step 2

Tap 'Confirm'

The slider will automatically complete the calibration.

3.4 AB Point Setting

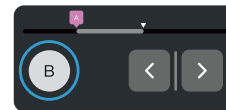
Set Point A

Tap the arrow button to move the slider to the 1st position
Tap 'A'



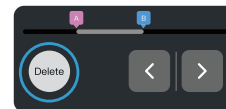
Set Point B

Tap the arrow button to move the slider to the 2nd position
Tap 'B'



Cancel AB Point

Tap 'Delete'



3.5 Loop Mode

Switch the loop modes by tapping the loop button.



3.6 Video Shooting

Note: A camera control cable is needed for this function.

Step 1

Once all parameters are set, tap 「Shoot」



Step 2

Tap 「Start」 to start video shooting



3.7 Time-Lapse

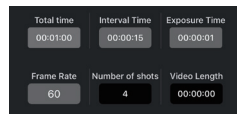
Note: A camera shutter cable is needed for time-lapse.

Users can customize the AB point setting based on different shooting needs.

3.7.1 Parameter Setting

Total Time: Defines how long the shoot lasts. (User setting required)

Interval Time: Defines how long it lasts between each photo shot. Interval time must be longer than exposure time. (User setting required)



Exposure Time: Defines how long the slider remain stationary. Must be longer than the camera's exposure time. (User setting required)

Frame Rate: Defines the frame rate of the final video. (User setting required)

Number of Shots: The total number of photo shots for reference.

Video Length: The final length of the video for reference.

3.7.2 Start/Stop Time-lapse

Start



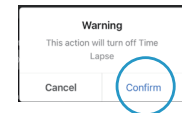
After the parameter setting, tap 「Start」.

Stop

Tap 「Stop」



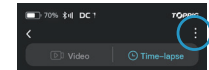
Tap 「Confirm」



3.8 Firmware Update

Step 1

Tap 「⋮」



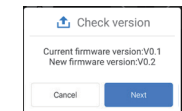
Step 2

Select 「Firmware Update」



Step 3

Tap 「Next」



04 Specs

Rated Voltage	7.4 –16.8V
Max.Horizontal Load	4.0kg
Max.Vertical Load	2.5kg
Max.Operating Speed	5cm/s
Stationary Object Tracking Panoramic Angle	55°
Max.Travel Distance	225mm
Power Supply	DC 9–16.8V NP–F Battery
Power Consumption	0.5W
Dimensions	410 x 106 x 71.3mm
Weight	1.4Kg

Warranty

01 Warranty Period

1. If there is a quality problem that occurs within 15 days after receiving the product, TopRig will provide complimentary maintenance or replacement.
2. Under proper use and maintenance, from the date of receipt, TopRig will provide a one-year warranty on the wireless video transmission system and a three-month warranty on the accessories and cables. Free maintenance service is available during the warranty period.
3. Please keep the proof of purchase and the user manual in a safe place.

02 Warranty Exclusions

1. Out of warranty (If the proof of purchase is not available, the warranty will be calculated from the date the product is delivered from the factory)
2. Damage caused by use or maintenance is not following the requirements of the product manual.
3. Unauthorized repair, modification or disassembly.
4. Damage caused by force majeure such as fire, flood, lightning strike, etc.

03 Warranty Process

Add: Room 302, BLDG D, ZhiyuanYungu, 73 Guanlan Blvd, Longhua District, Shenzhen 518110

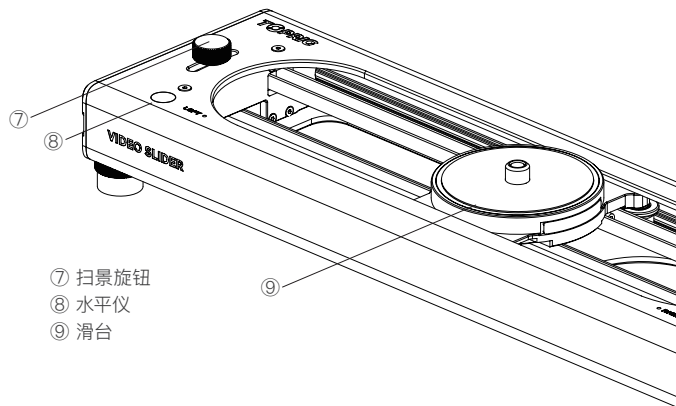
Tel: 0086-28-84334099

01 基本信息

1.1 装配清单

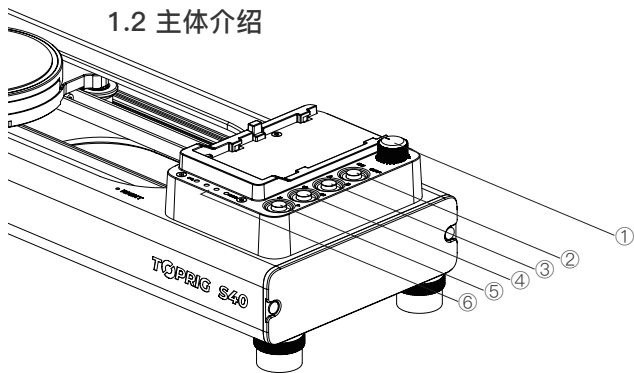


- 滑轨 × 1
- 内六角扳手 × 1
- 开口同步带 × 1

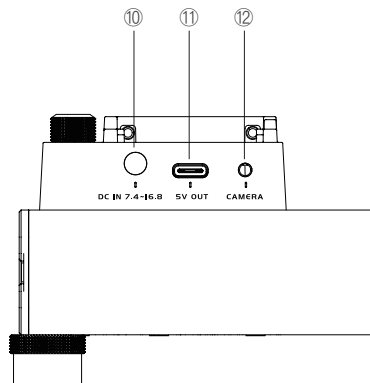


- ⑦ 扫景旋钮
- ⑧ 水平仪
- ⑨ 滑台

1.2 主体介绍



- ① 速度调节
- ② 电源
- ③ AB 点设置
- ④ 循环模式
- ⑤ 启停
- ⑥ 电量指示



- ⑩ DC
- ⑪ 5V 输出
- ⑫ 快门线接口



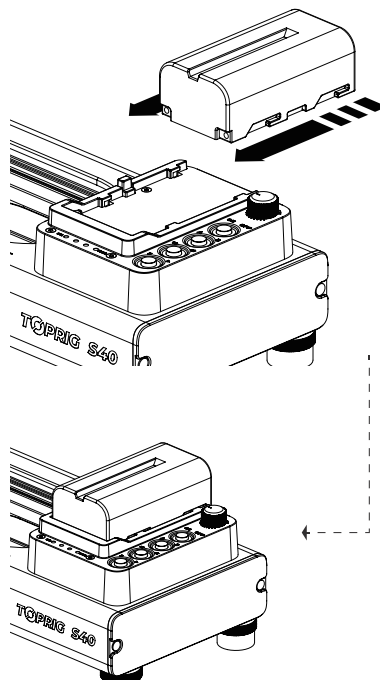
1.3 产品特点

- 无刷电机视频滑轨
- 长焦不抖
- 无极调速
- 机械双轴
- APP 控制
- 手动 AB 打点
- 延时拍摄
- 超级静音

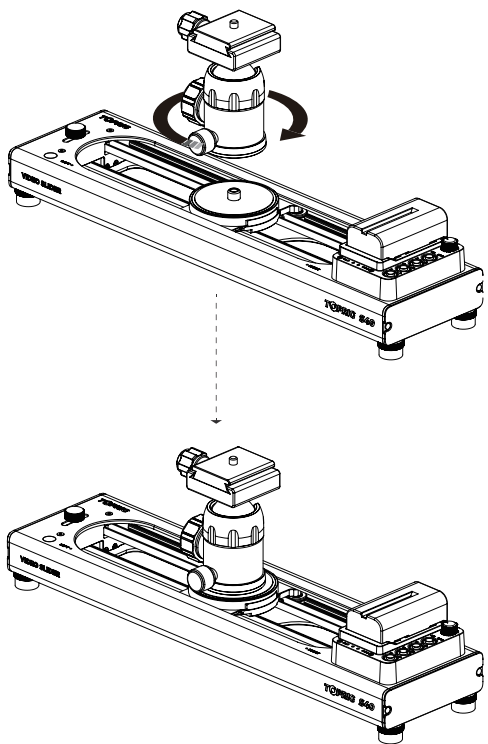
1.4 安装

Step 1 安装电池 (自备)

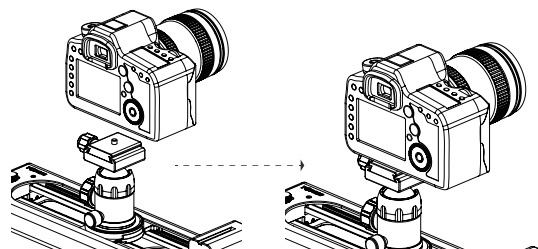
电池型号: NP-F550/NP-F750/NP-F950



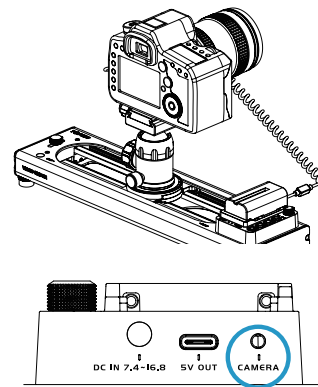
Step 2 云台 (自备) 与滑轨进行安装



Step 3 相机 / 摄像机安装



Step 4 相机快门控制线 (本产品不标配控制线, 需要用户另行购买)



3.5mm 相机快门控制线插孔

02 基础功能



- 速度调节旋钮
- 电源键
- AB 点设置键
- 循环模式键
- 启停键

2.1 开机关机

ON OFF



- 开机：单击电源键
- 关机：长按电源键 2 秒

2.2 行程校准

注意：开机后必须对滑轨行程校准才能使用。
建议水平放置进行校准，请勿携负载进行垂直放置校准

II ▶



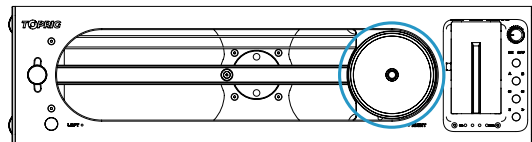
- 校准方法：
开机后单击“启停”键，滑轨将自动完成行程校准。

2.3 AB 点设置

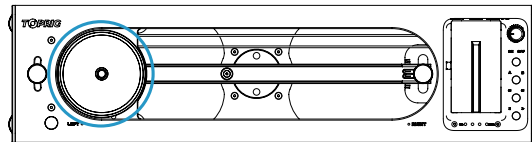
1. 默认 AB 点

滑轨开机后默认的 AB 点如下图所示：

默认 A 点位



默认 B 点位



2. 自定义 AB 点

- ①将滑台推到第一个位置
 - ②单击“AB 点设置”键设置 A 点 (指示灯“A”亮)
 - ③将滑台推到第二个位置
 - ④单击“AB 点设置”键设置 B 点 (指示灯“B”亮)
- 设置完成



3. 取消 AB 点

AB 点设置完成后，再次单击“AB 点设置”键将取消 AB 点，指示灯“A”和“B”均熄灭。

2.4 循环模式

滑轨支持“单次循环”和“无限循环”两种模式，默认为“单次循环”模式。



设置：单击“循环模式”键在两种模式之间进行切换。

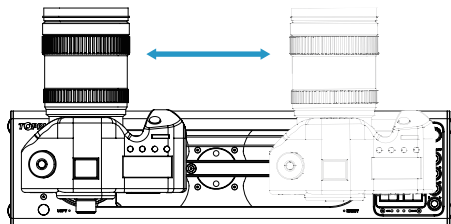
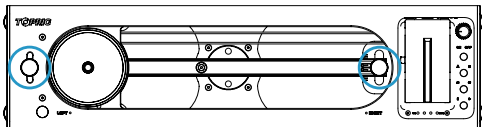
2.5 速度调节



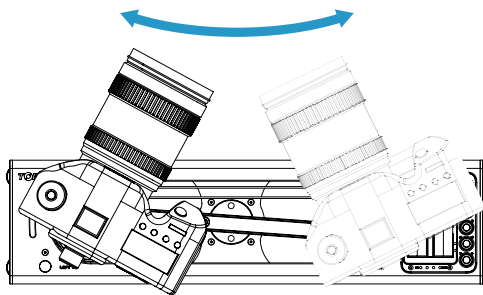
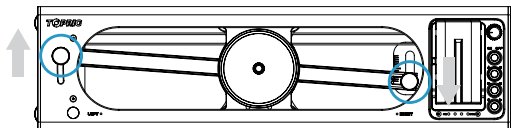
滑轨运动速度范围：0.1–5.0cm/s
通过旋转“速度调节”旋钮对滑轨速度进行调节。

2.6 追焦扫景设置

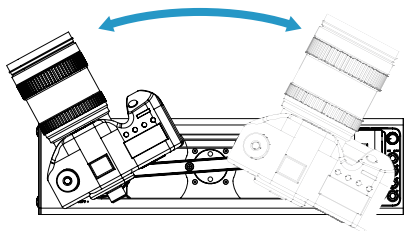
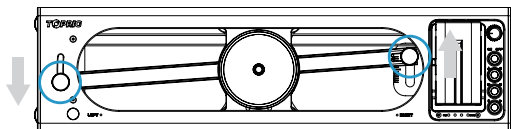
2.6.1 平移拍摄：将扫景旋钮调节为 居中



2.6.2 聚焦拍摄：将扫景旋钮调节为 左上右下



2.6.3 扫景拍摄：将扫景旋钮调节为左下右上



03 App

App 包含如下功能：

- 行程校准
- 视频拍摄
- 循环模式
- AB 点设置
- 延时摄影
- 固件升级

3.1 APP 下载安装

请从应用宝商城或苹果官方应用商城搜索 TopRig 并下载

3.2 App 和滑轨连接

注意:App 使用蓝牙和滑轨进行连接,使用前请打开手机蓝牙。



Step 1
打开 TopRig APP



Step 4
点击“确定”

3.3 行程校准



Step 1

点击“校准按钮”



Step 2

点击“确定”，滑轨将完成自动校准

3.4 AB 点设置

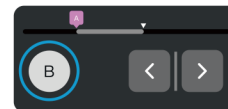
设置 A 点

点击箭头图标将滑台移动到第一个位置→ 点击“A”图标



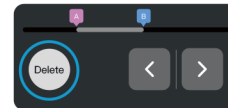
设置 B 点

点击箭头图标将滑台移动到第二个位置→点击“B”图标



取消 AB 点

点击“Delete”图标



3.5 循环模式

点击 APP 界面右下角循环图标进行切换。



3.6 视频拍摄

注意：如需使用 App 控制相机，请使用相机快门控制线。

Step 1

当所有参数设置完毕，点击“拍摄”图标



Step 2

点击“启动”按钮即可进行视频拍摄。



3.7 延时摄影

注意：必须使用相机快门控制线才能实现延时拍摄。

用户可以根据实际拍摄确定是否进行 AB 点设置。

3.7.1 参数设置

拍摄时间：指总的拍摄时间，需要用户设置。

拍照间隔：指相机拍照的间隔时间，需要用户设置，此时时间必须大于曝光时间。

曝光时间：指滑轨的停留的时间，需要用户设置，需要大于相机的曝光时间。



成片帧率：指最终合成的视频的帧率，需要用户设置。

拍摄张数：最终拍摄的照片张数，用于辅助用户拍摄，无需设置。

成片时长：最终预计生成的成片时长，用于辅助用户拍摄，无需设置。

3.7.2 启动 / 停止延时摄影

启动

Step 1

当所有参数设置完毕，点击“启动”图标。



停止

Step 1

点击“暂停”图标



Step 2

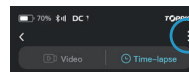
点击“确认”按钮。



3.8 固件升级

Step 1

在 APP 控制界面点击右上角“⋮”图标



Step 2

选择“固件升级”



Step 3

点击“下一步”图标。



04 产品规格表

名称	规格
额定电压	7.4 -16.8V
水平负载	4.0kg
垂直负载	2.5kg
最大运行速度	5cm/s
追焦扫景角度	55°
最大运动行程	225mm
供电方式	DC 9-16.8V NP-F 电池
功率	0.5W
尺寸	410 x 106 x 71.3mm
重量	1.4Kg

保修说明

01 质保期限

1. 自签收之日起 15 日内, 出现质量问题, 可享受换货或者免费维修服务。
2. 滑轨在正确使用及保养下, 保修期为自签收之日起一年 (附件和线材保修期为 3 个月), 在保修期内可享受免费维修服务。
3. 请妥善保管好购买凭证、说明书。

02 质保不包括

1. 超过三包有效期的 (无法提供购买凭证的从产品出厂日期开始计算)。
2. 未按产品使用说明书要求使用、维护、保养造成损坏的。
3. 未经授权的维修、拆解。
4. 因火灾、水灾、雷击等不可抗力造成的损坏。

03 售后支持

售后地址: 深圳市龙华区观澜大道 73 号智源云谷 D 栋 302
售后电话: 0086-28-84334099