

Sound Projector  
SP202

AUDAC

PROFESSIONAL AUDIO EQUIPMENT

---

Bidirectional Sound Projector SP202

# Installation Guide

## Introduction

The AUDAC SP202 is a Bidirectional and humidity proof sound projector with a high efficiency. It is suitable for speech and music and ensures a powerful and high quality sound reproduction.

It features two 5" full range speakers and a built-in 100 Volt line transformer with four different power taps, to be used in large 100V PA applications.

The enclosure is made of solid aluminum with a special weatherproof coating, and the mounting of the speaker should be done by means of the aluminum mounting bracket. A 1.5m cable is provided for connecting the loudspeaker.

## Installation procedure

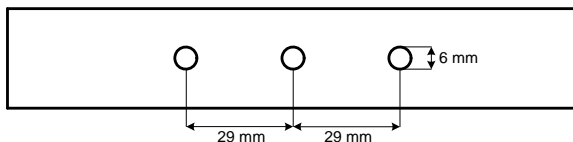
- 1) Before mounting the loudspeaker, make sure that the speaker can be mounted on a safe location and can be easily aimed to the desired location. Also make sure that the mounting location (Wall / Ceiling) is solid enough to support the weight of the loudspeaker.

- 2) The two bolts whereby the loudspeaker is attached to the U-shaped mounting bracket are meant to focus the speaker into the desired direction. You can loosen those bolts a bit for focusing the speaker, and when it's in the right position, tighten the bolts again.

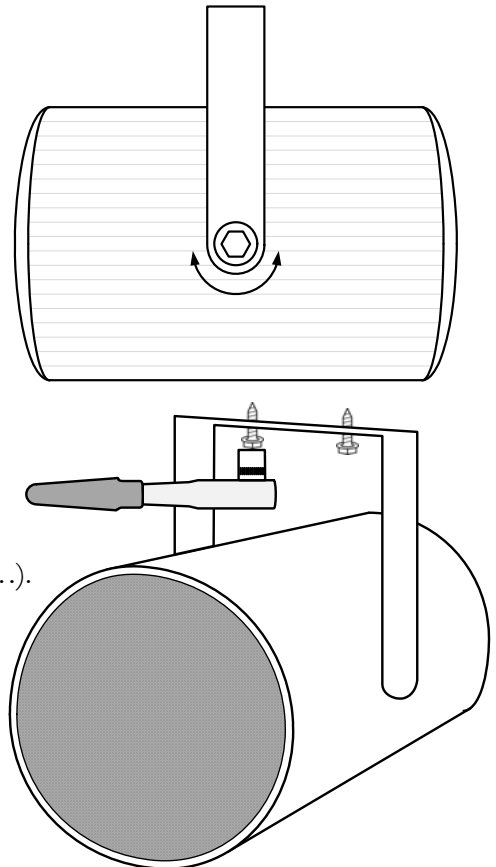
**Notice that those bolts are locked inside the loudspeakers body, and can't be fully removed out of it.**

- 3) The speaker should be mounted using the included U-shaped mounting bracket. Depending on the mounting surface, the appropriate fasteners should be used. (wood, concrete, steel, ...).

The most simple method for mounting the loudspeaker is by means of using hexagon bolts, and tightening them by means of a ratchet wrench.



- 4) After the loudspeaker is mounted on the desired location, the connection cable can be cut on the desired length and the connections can be made.



## Connections

To avoid electric shocks during installation, always switch of the amplifier power when connecting loudspeakers.

A 4 core connection cable comes out of the cable gland, on top of the loudspeaker. By connecting the appropriate cable cores, the desired power taps for the loudspeaker can be selected, to be used in 100V public address applications.

### **Connections for 100 Volt use:**

COM	Blue
20 Watt	Red
10 Watt	Yellow
2.5 Watt	Green

Always connect the – pole of the amplifier output to the COM (Blue core). The + pole of the amplifier can be connected according to the table above for the desired output power.

When the loudspeaker is connected to 70.7V facilities, the power indicated in the table above will be reduced to half the power, and when connected to 50V facilities, the power will be reduced to a quarter.

When the desired power tap is selected and connected, the loudspeaker is ready to be used.

## Technical Specifications

Projector way	Bidirectional	
Max Power	2 x 20 Watt	
RMS Power	2 x 10 Watt	
Line Transformer Power taps	20 Watt (2 x 10 Watt) 10 Watt (2 x 5 Watt) 5 Watt (2 x 2.5 Watt)	500 Ohm 1000 Ohm 2000 Ohm
Line Voltage	100 V	
Driver impedance	8 Ohm	
Sensitivity 1W / 1m	91 ± 3 dB	
SPL Max W / 1m	92 dB	
Frequency response	110 Hz – 18 kHz	
Material	Aluminum	
Weight	2.4 Kg	
Speaker	2 x 5"	
Colour	White	
Mounting	Aluminum U-Bracket	
Connection cable length	1.5m	
IP Rating	IP56	