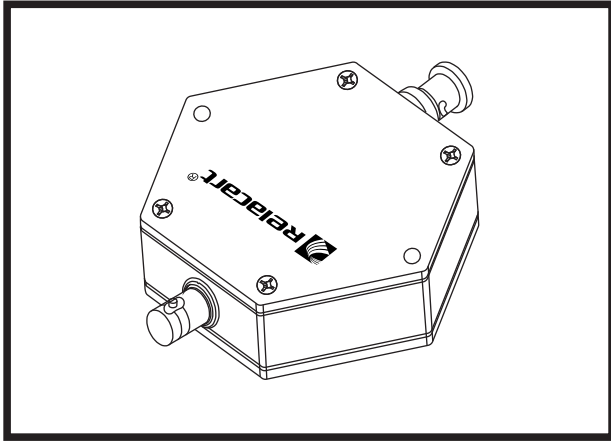


R-20A UHF Wide-band Antenna Booster



Technical Specifications

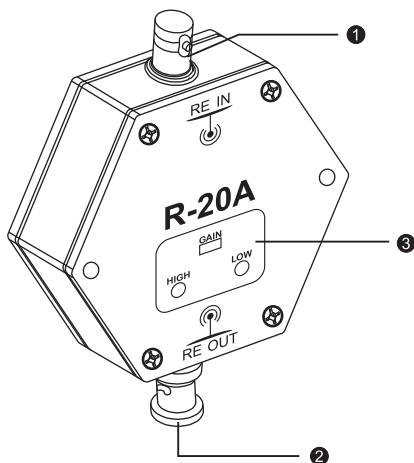
| | |
|-----------------------|--|
| Frequency Range | 450MHz~950MHz |
| High Gain | 15dB |
| Low Gain | 5dB |
| Connector | BNC Female Connector |
| VSWR | Input: $\leq 3:1$; Output: $\leq 3:1$ |
| Noise | 3dB (typical) |
| Power Supply | DC 8V, 80mA |
| Operating Temperature | -20°C to +60°C |
| Dimensions | 60mm X 42mm X 88mm |
| Weight | 125g (excluding the bracket) |
| Packing | Black electroplating aluminum |

R-20A provides increased gain for receiving antennas, maintains effective and reliable signals and reduces chance for signal dropouts under difficult RF conditions.

- Compact and lightweight for easy installation in small spaces: R-20A is integrated into a small size case and can be connect to connecting cables by series connection.

-the type of the connection cable and length: 50 Ohm low-loss coaxial cable

R-20A Functions



①The input connector of the antenna (BNC connector) and directly connect the BNC connector to R-20U antenna.

②Using high quality low loss coaxial cable to connect the output connector (BNC connector) of R-20A to the input of Relacart UHF receiver or R-14D Antenna Divider. And this connector also output power to the R-20A UHF Wide-band Directional Antenna.

③Gain Optical Switch: when choose gain "HIGH" the light will turn red, the gain is 13dB; when choose gain "LOW" the light will turn green, and the gain is 5dB; It depends on the actual needs.

